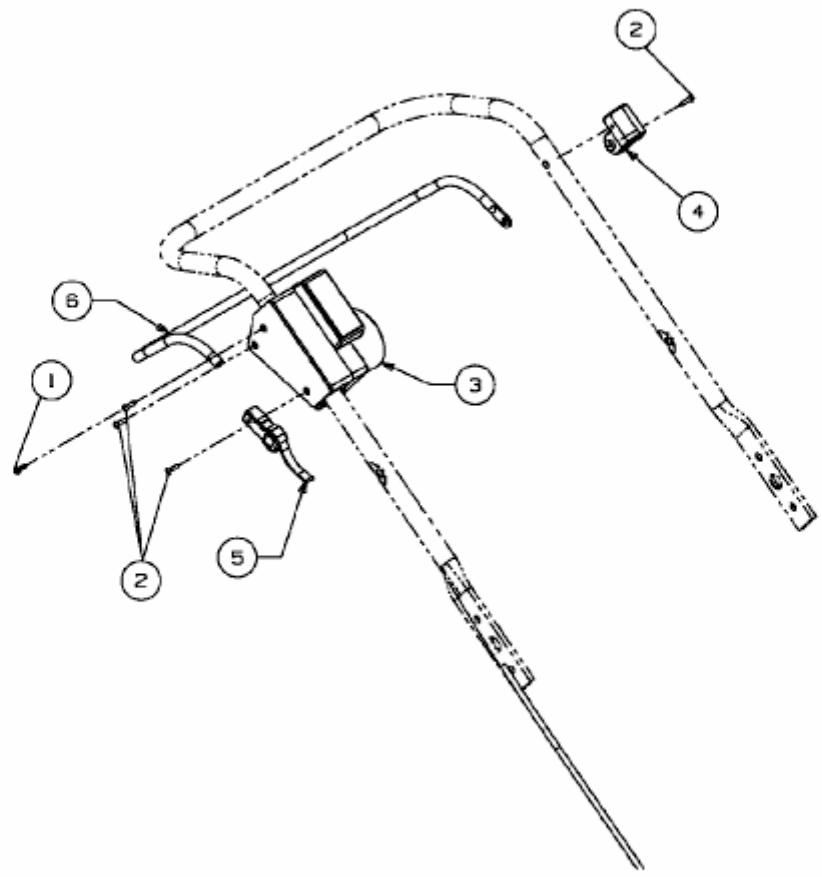


YM 1719 E > 18A-18K-643 (2010) > SCHALTER



E3-03723A-01