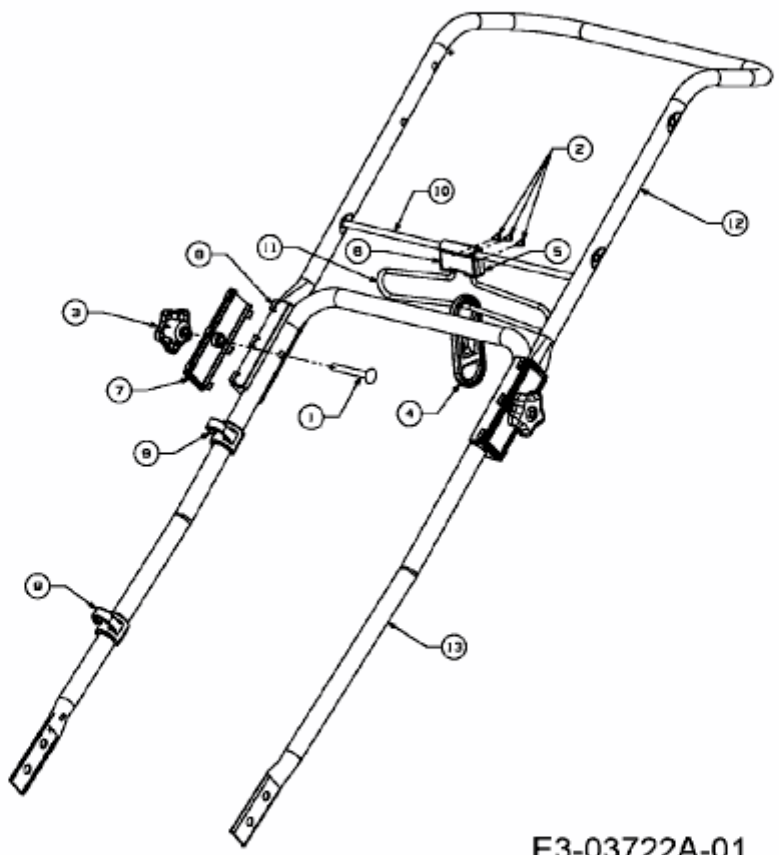


YM 1719 E > 18A-18K-643 (2008) > HOLM



E3-03722A-01