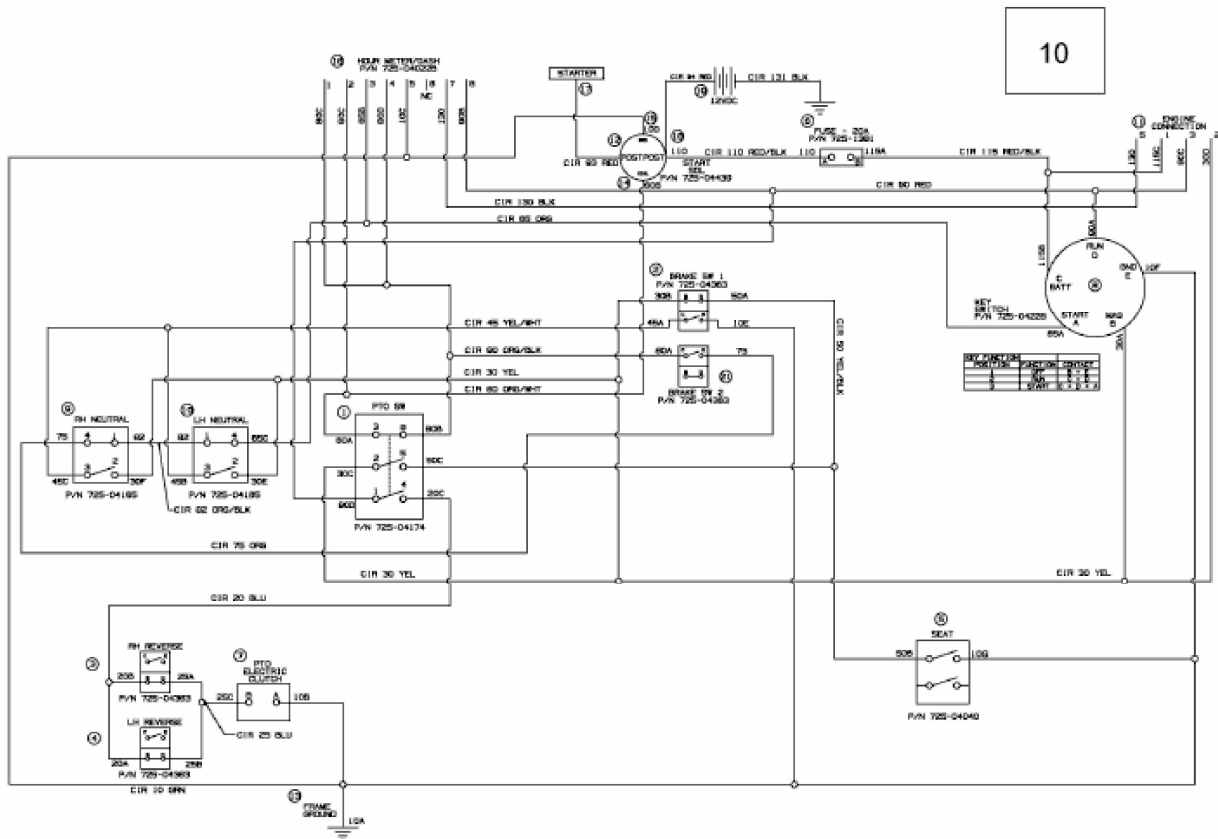


MUSTANG XP 50 > 17WF2ACP066 (2011) > SCHALTPLAN



E3-01636A-02