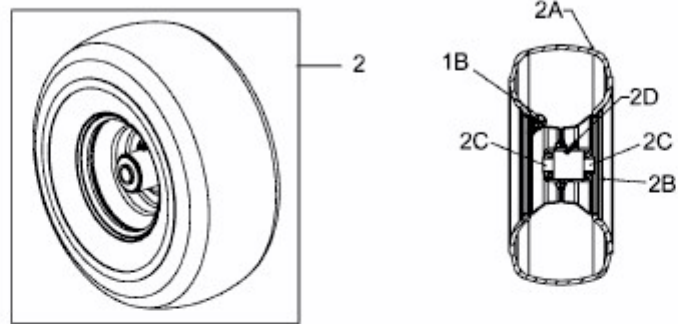
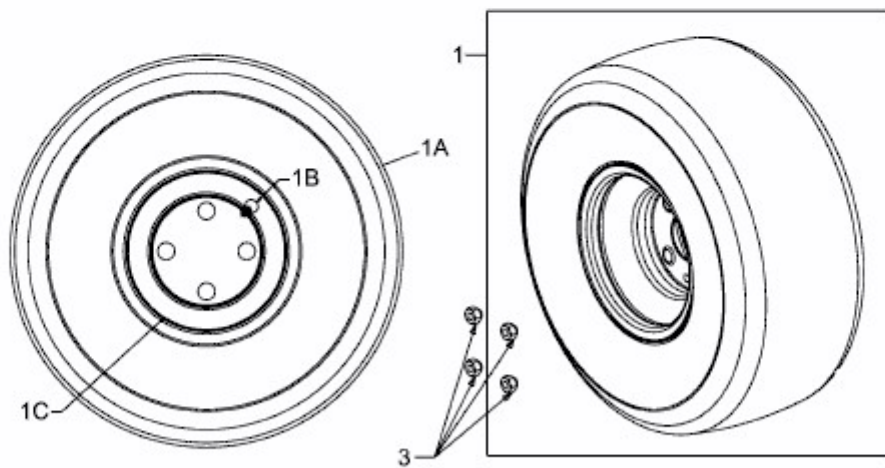


FMZ 50 > 17CI4BFP603 (2012) > RÄDER 15X6 / 20X10

15x6-6



20x10-8



E3-04322B-01