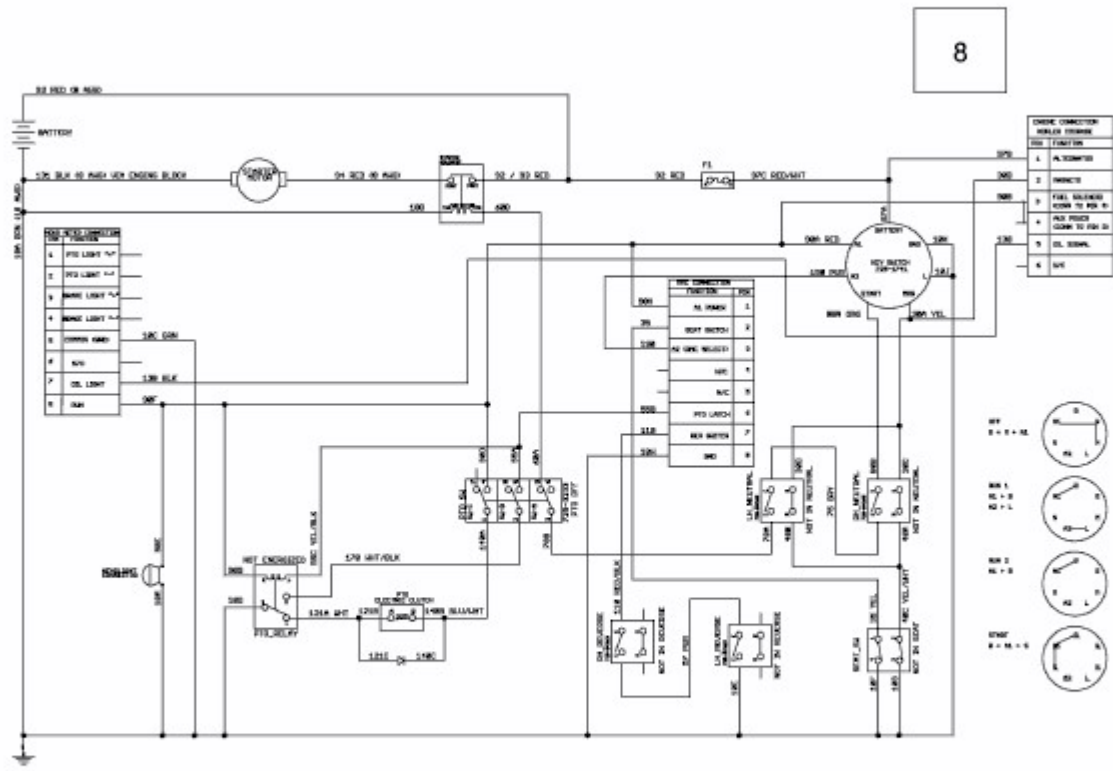


Z-FORCE LZ 60 > 17BIDAGD010 (2015) > SCHALTPLAN



E3-09116A-02