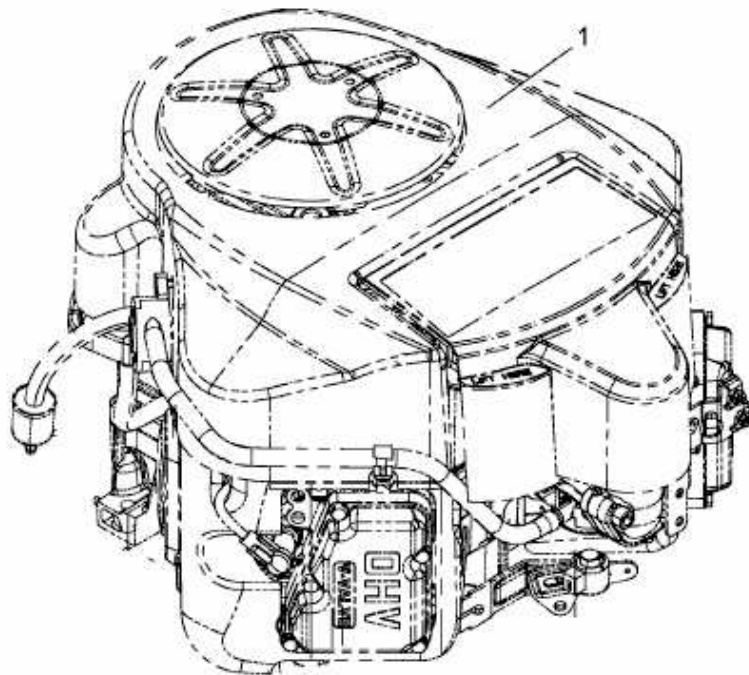


Kawasaki



Model: FR 651 V
Type: AS 50

E3-08353A-01