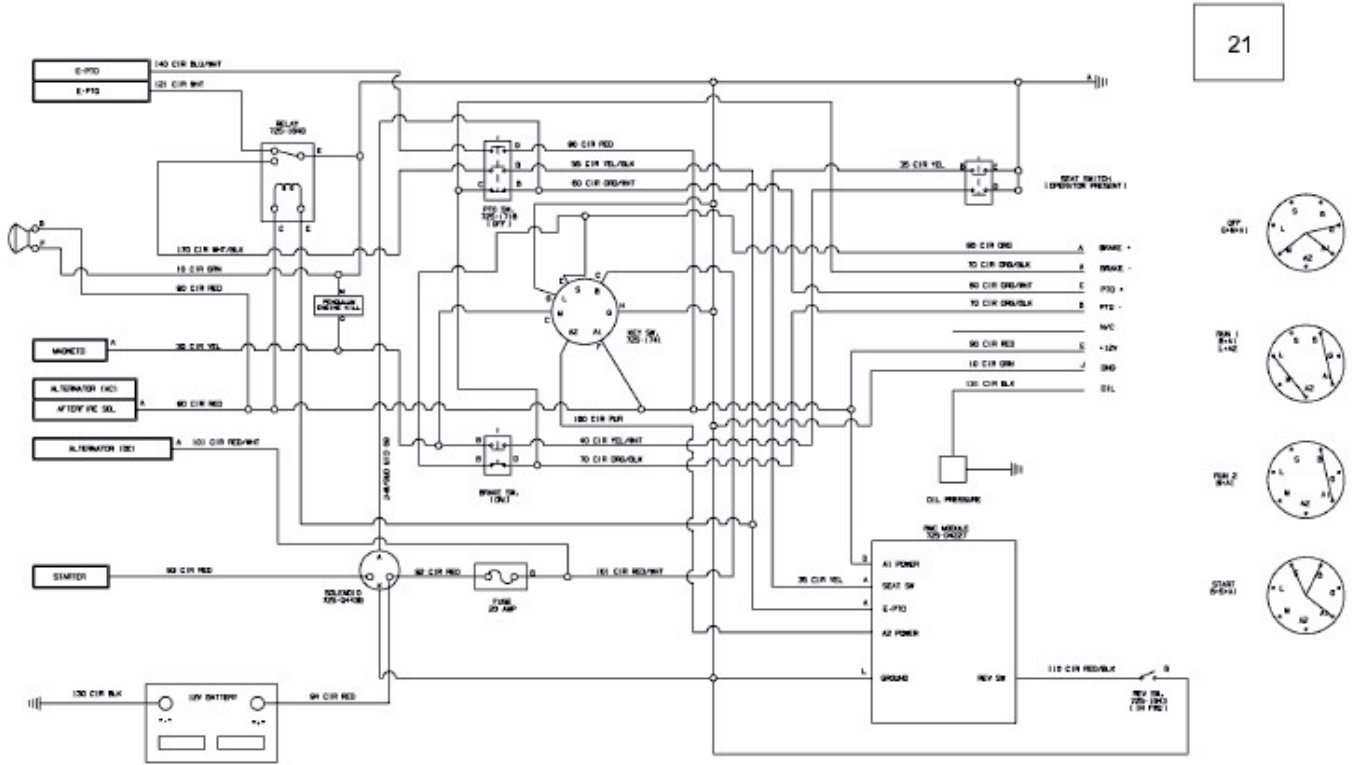
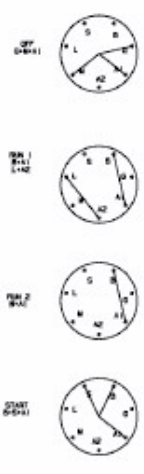


FMZ 48 > 17BI4BFY603 (2014) > SCHALTPLAN



21



E3-04665B-02