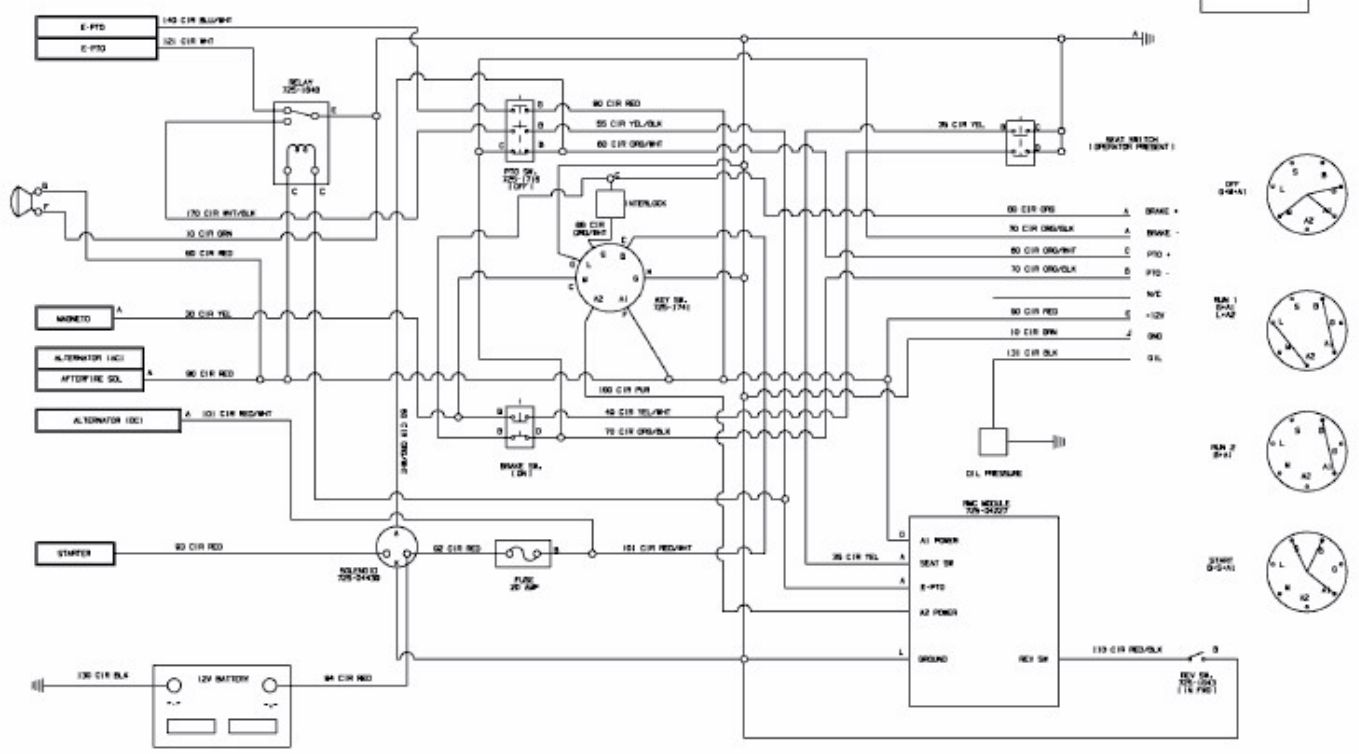


FMZ 50 > 17BI4BFP603 (2009) > SCHALTPLAN

12



E3-04162B-02