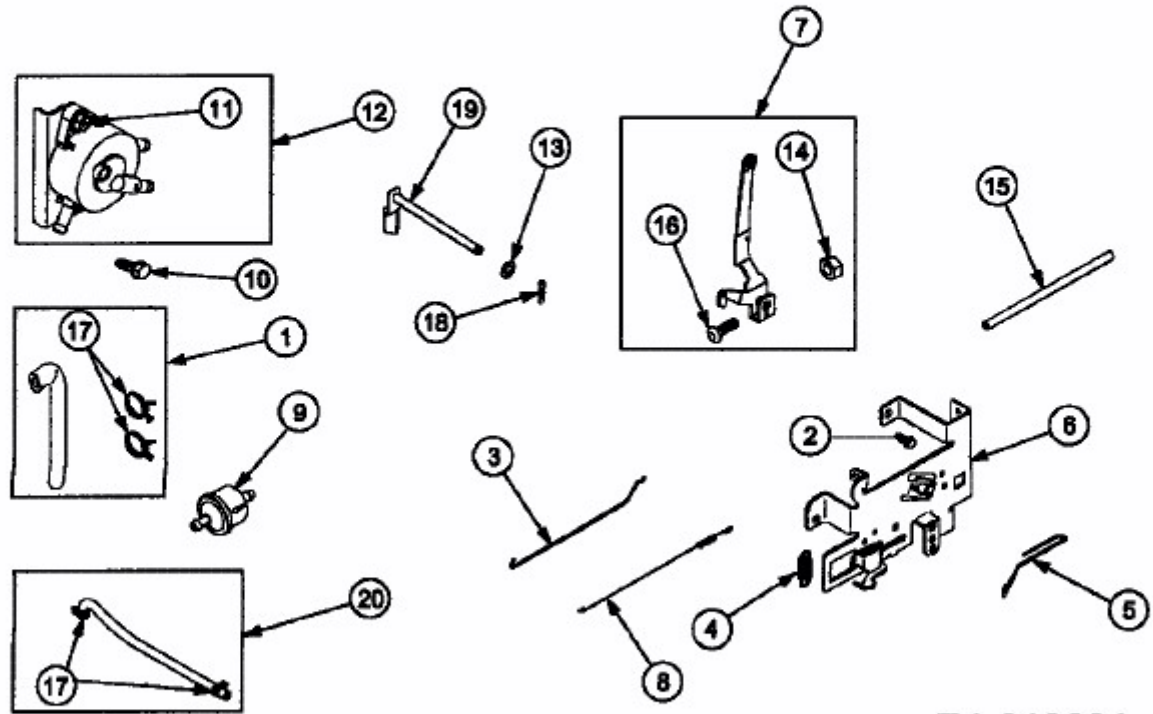


RZT 17

FUEL SYSTEM AND CONTROLS



E4-01262A