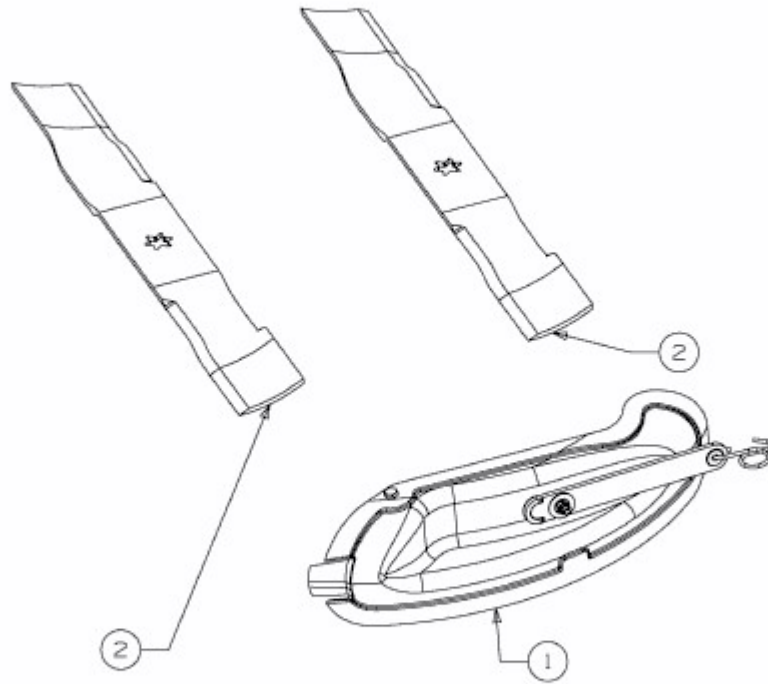


RZTS 46 > 17AICBDT603 (2014) > MULCHKLAPPE, MULCHMESSER



E3-08366A-01