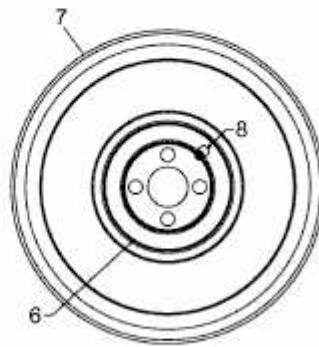
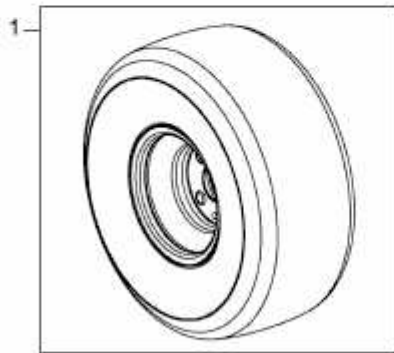
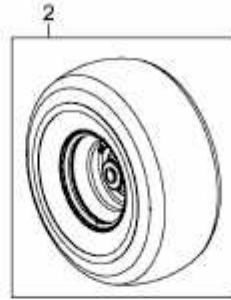
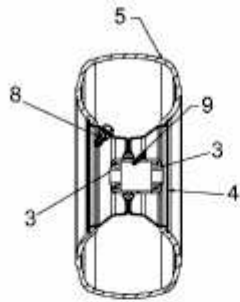


MF 50-22 FMZ > 17A14BFP695 (2009) > RÄDER 15X6 + 20X10



E3-04722A-01