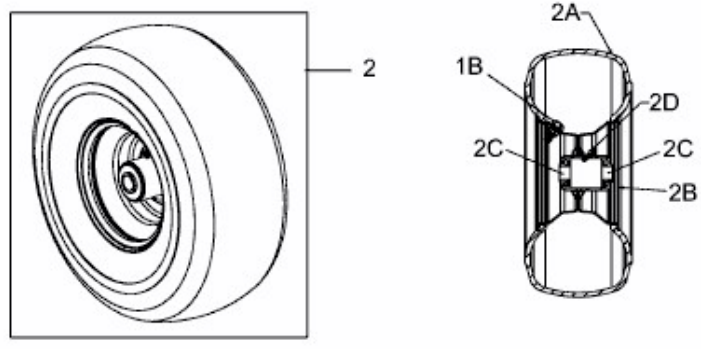
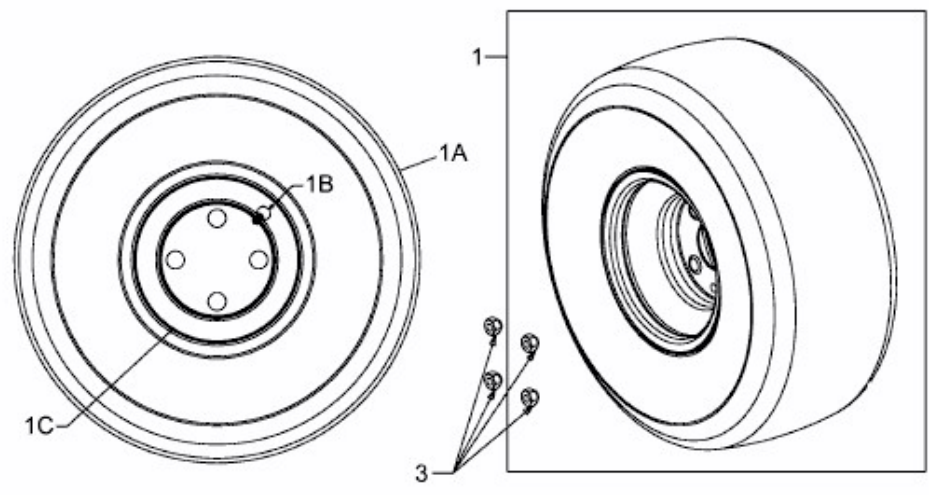


FMZ 50 > 17AI4BFP603 (2008) > RÄDER 15X6 / 20X10

15x6-6



20x10-8



E3-04322A-01