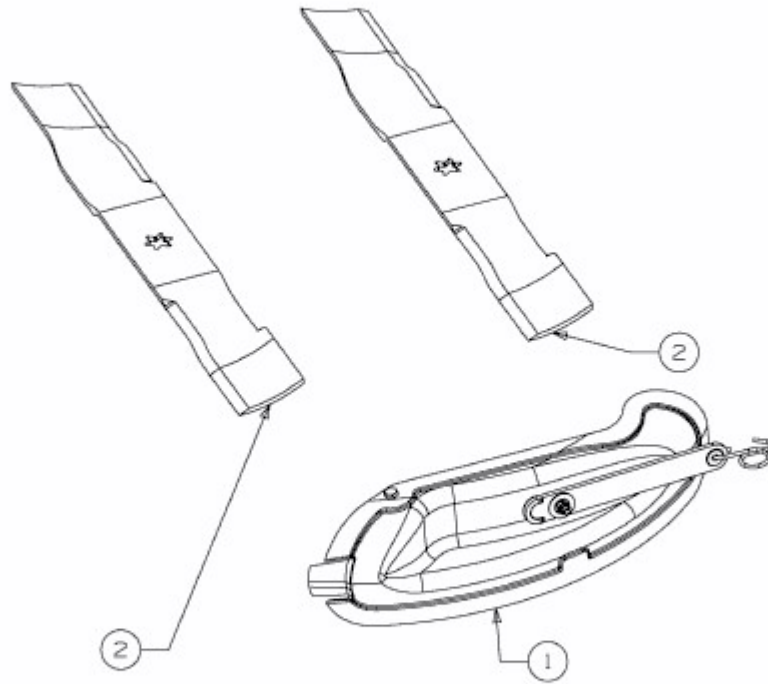


RZTS 46 > 17AFCBDT603 (2013) > MULCHKLAPPE, MULCHMESSER



E3-08366A-01