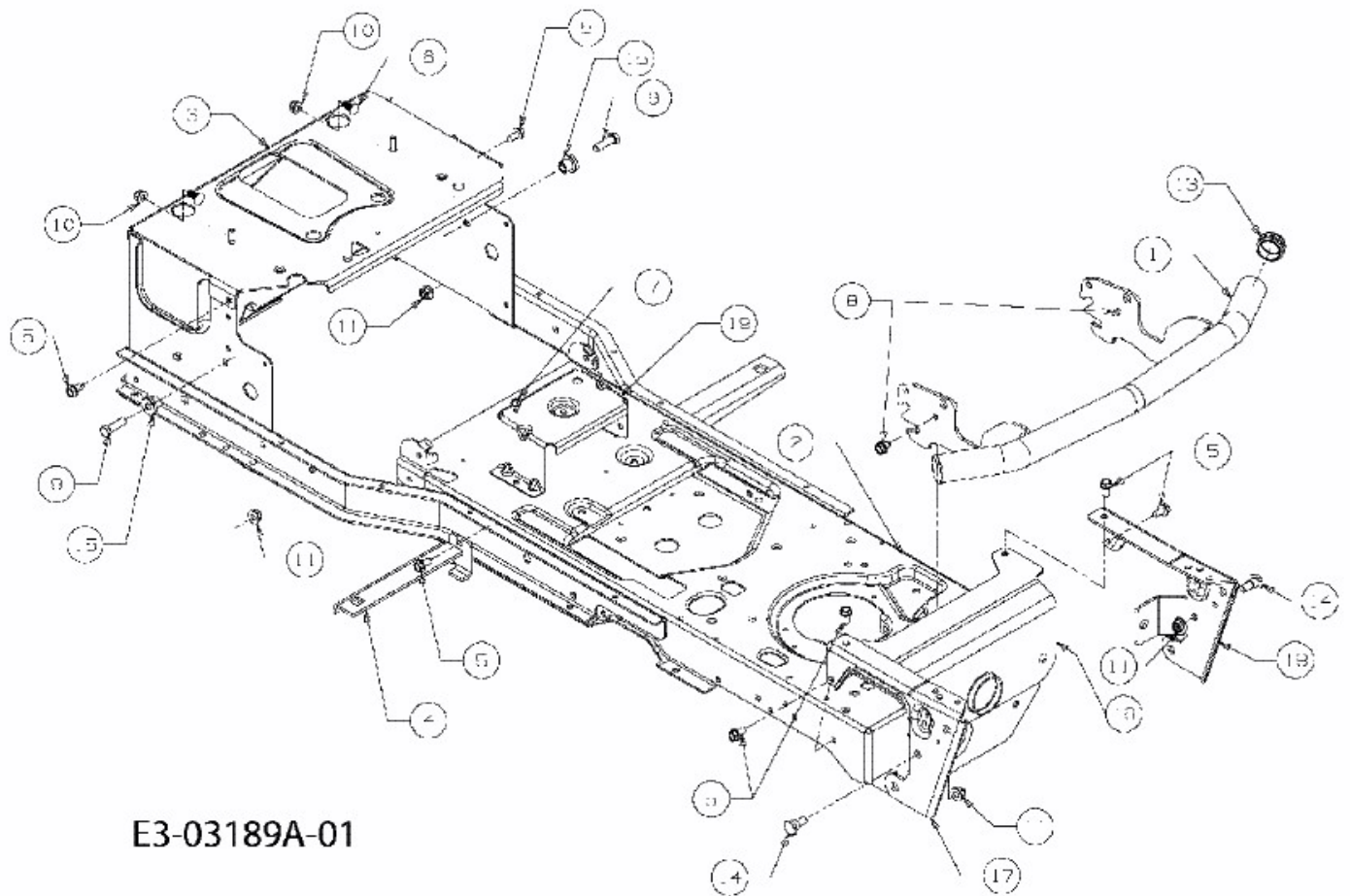


I 1050 > 17AF9BKP010 (2009) > RAHMEN



E3-03189A-01