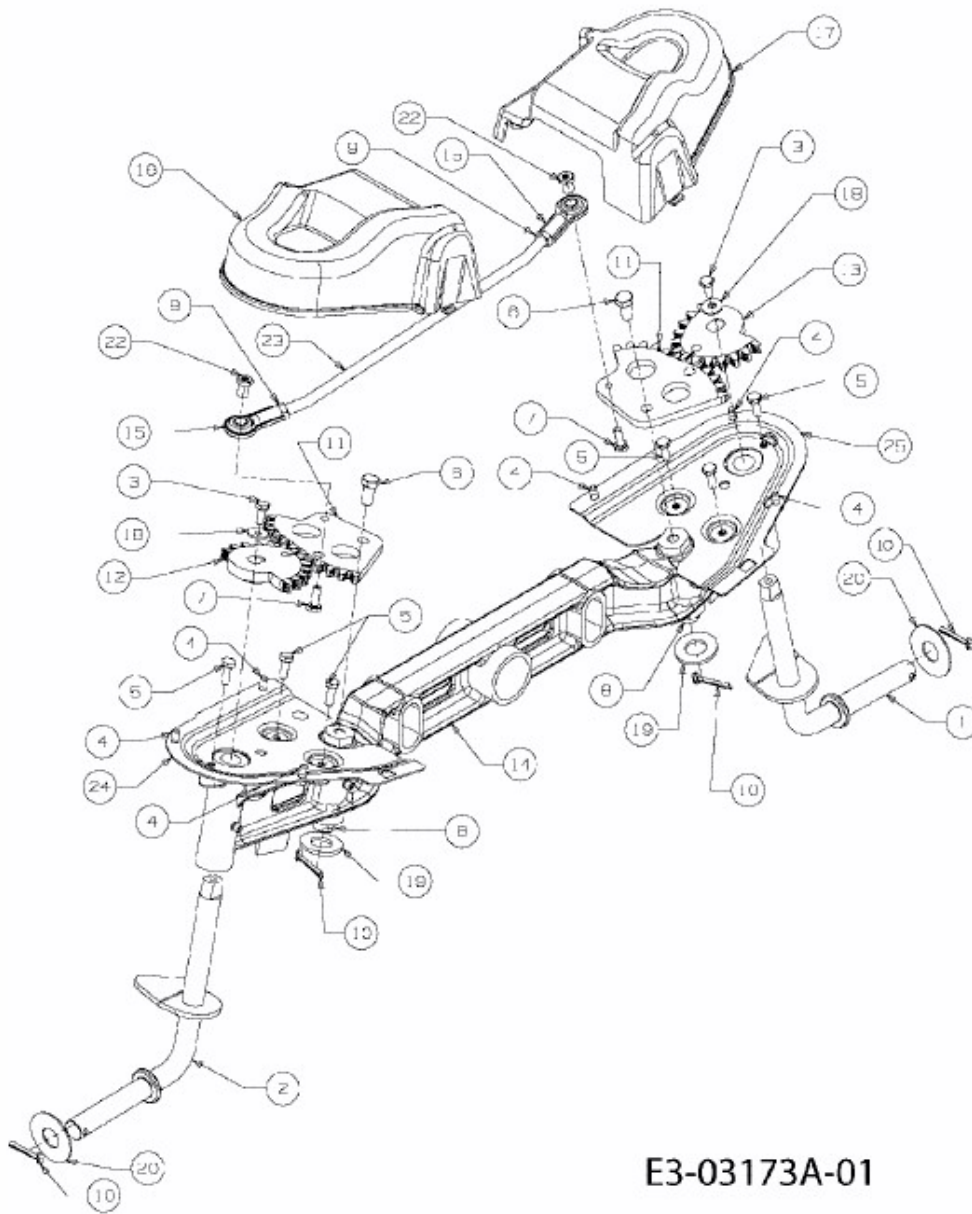


I 1050 > 17AF9BKP010 (2009) > LENKUNG



E3-03173A-01