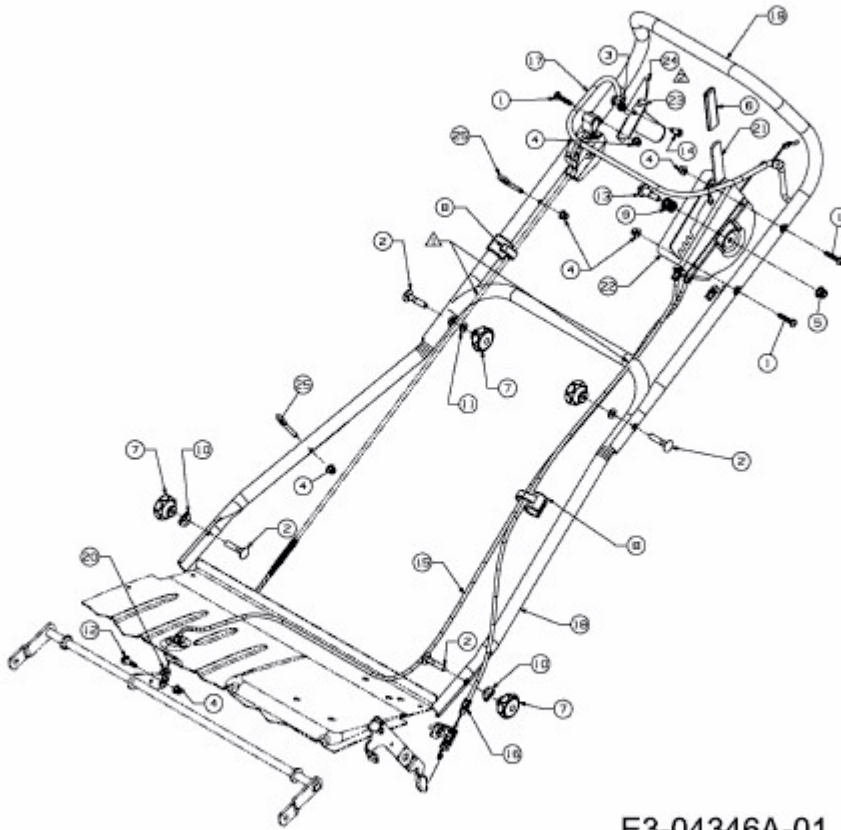


BL 5550 MV > 16CG7AMV684 (2009) > BOWDENZÜGE, HOLME



E3-04346A-01