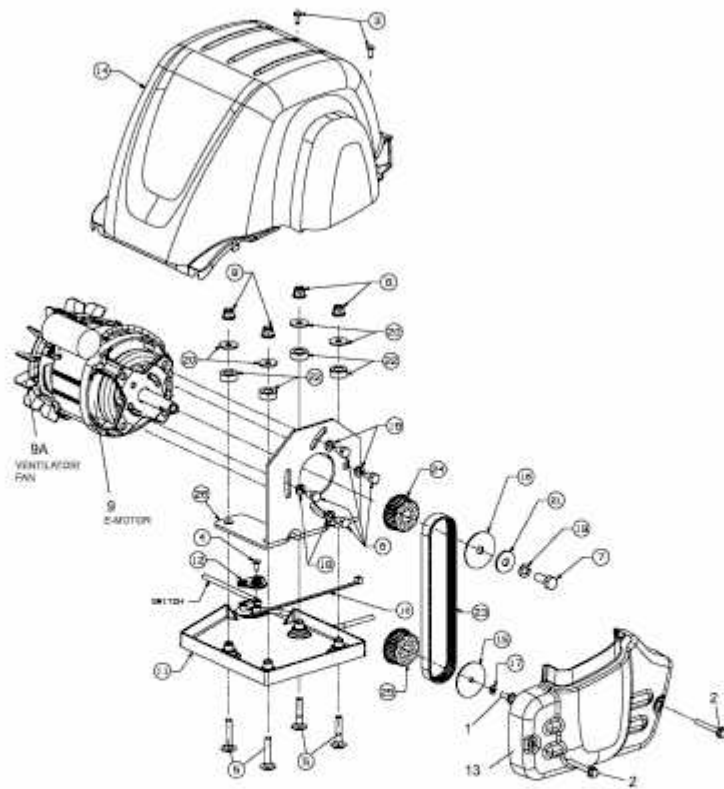


VE 40 > 16CF5AEA600 (2012) > ELEKTROMOTOR, KEILRIEMEN



E3-05675A-01