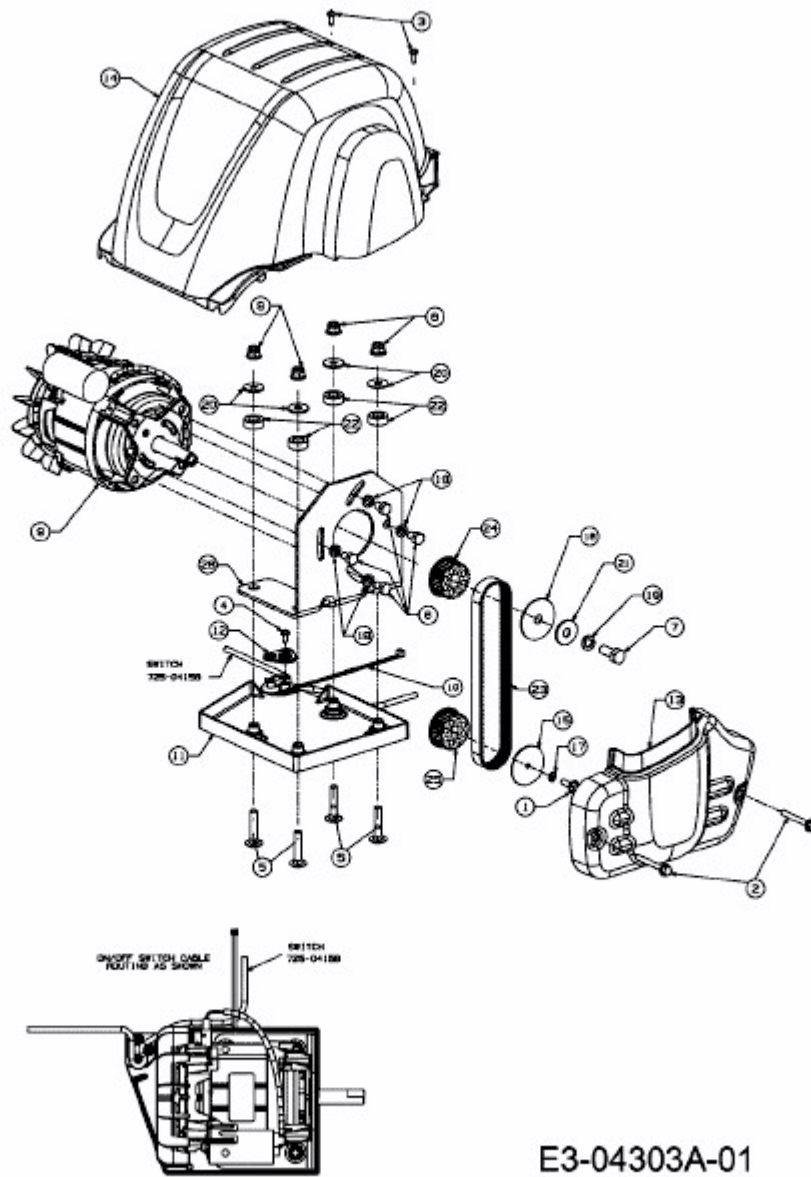


VE 40 > 16CE5AEA676 (2009) > ELEKTROMOTOR, KEILRIEMEN



E3-04303A-01