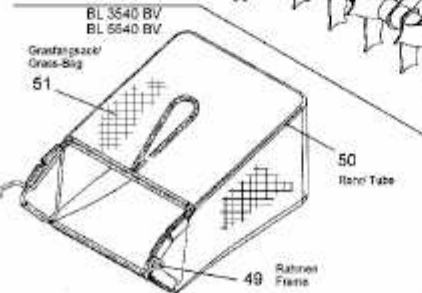
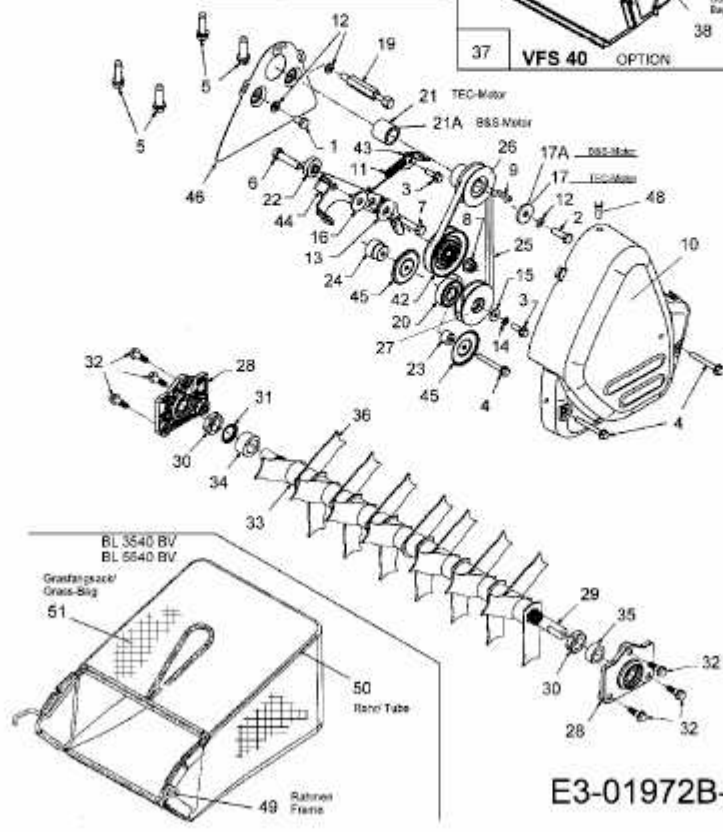
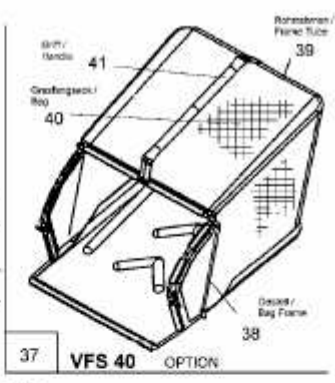


YM 5516 V > 16BG5A0E643 (2006) > FANGSACK, KEILRIEMEN, MESSERWALZE

- VG 40 (...678)
- VG 40 B (...679)
- YM 5516 V (...679)
- VG 40 (...628)
- VG 40 B-COOP (...675-40)
- VG 40 (...675)
- TS VG 40
- VT 40
- 5540 P (...675-40)
- GLS 4055
- BL 3540 BV
- BL 5540 BV
- VG 35-400

Motor / Engine	Anzahl abgefordert / Wahlzeichen
47 TEC	VG40 / VG40B / VG40 VG40B-COOP / VG 35-400 TS-VG40 / VT-40 / BL 3540 BV
47A B&S	YM5516V / 5540 P GLS-4055 / BL 5540 BV



E3-01972B-01