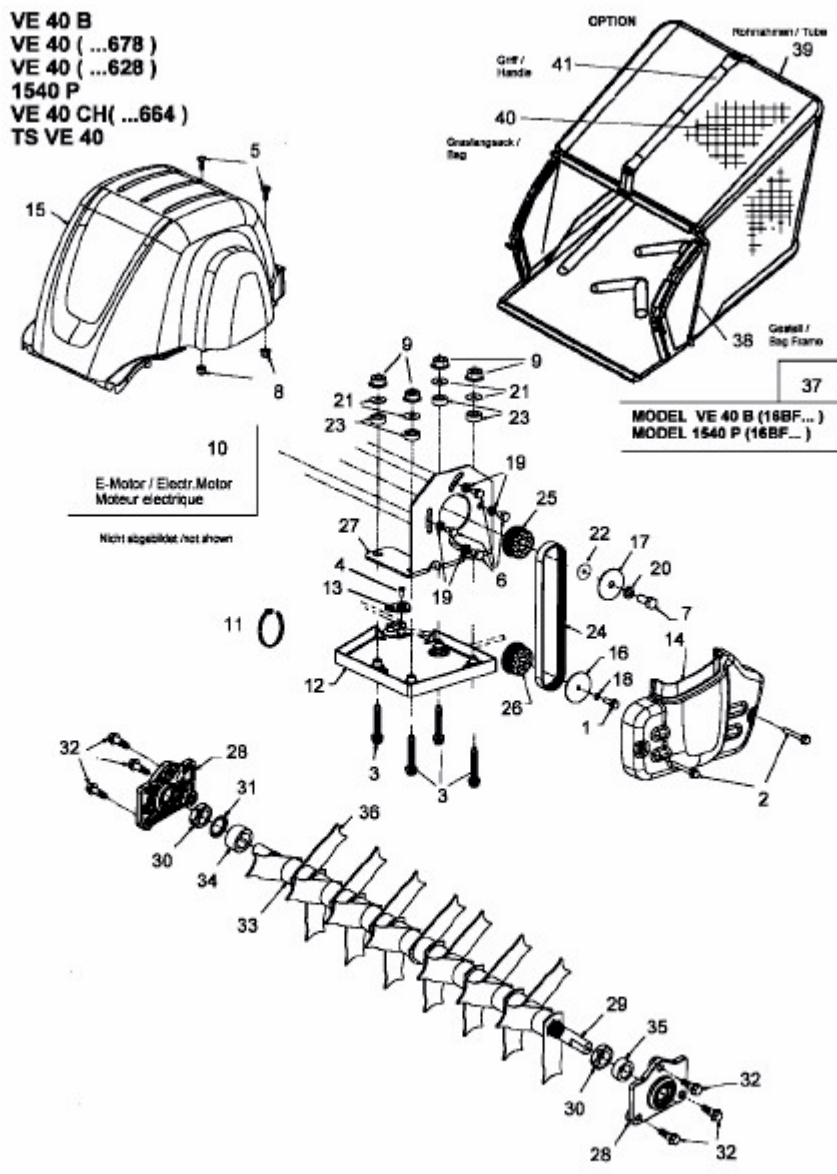


VE 40 > 16BF5AEA678 (2005) > FANGSACK, MESSERWALZE, MOTOR



E3-01970A