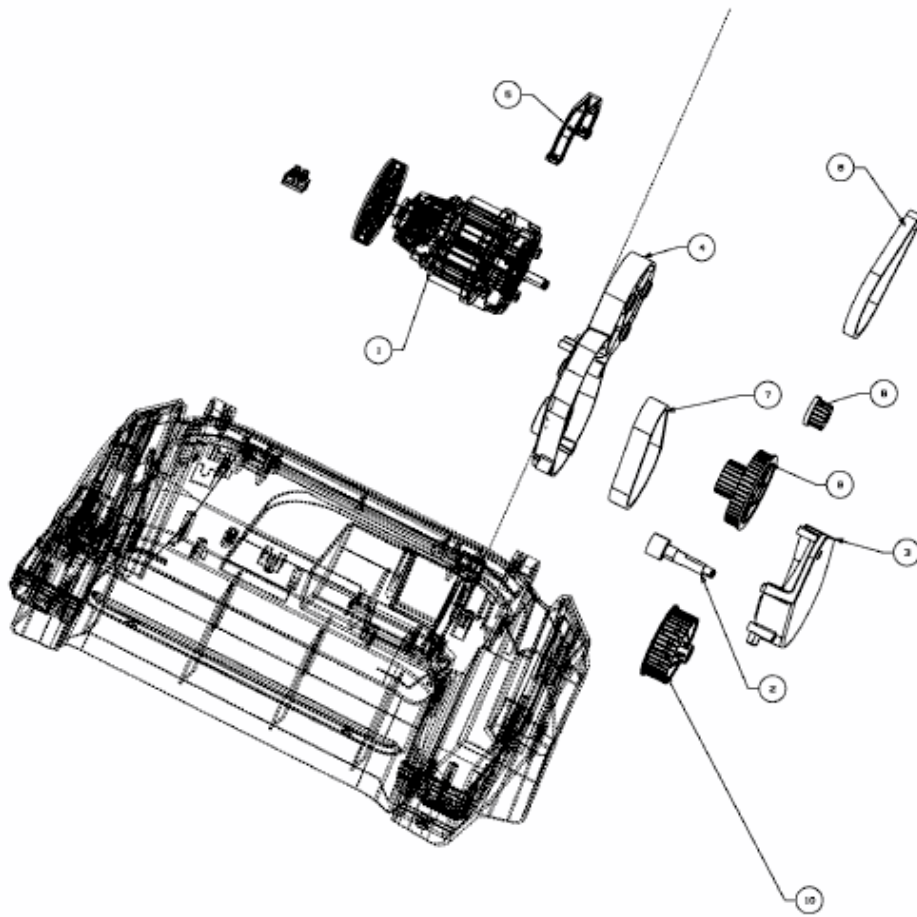


SMART 30 VE > 16AFDNKA664 (2015) > ANTRIEB



E3-04064A-01