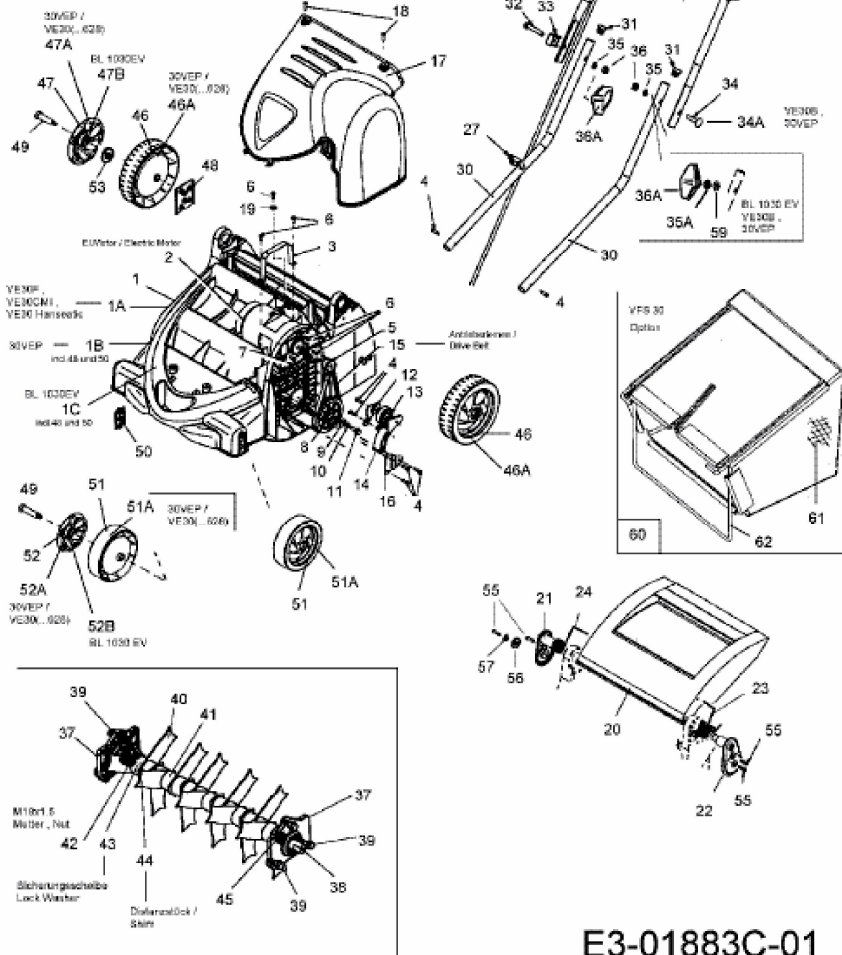


V 30 > 16AF11CA667 (2006) > GRUNDGERÄT

VE 30	16AE11CA800
VE 30 HANSEATIC	16AE11CA821
VE 30 E	16AF11CA821
VE 30 CMI	16AE11CA820
VE 30 CH VE 30 B CH	16AE11CA854 16AF11CA864
VE 30 COOP	16AE11CA855
VE 30 B	16AF11CA852
OK V 30	16AE11CA857
OK VE 30 B	16AF11CA857
30 VEP GOLF	16AF11CA828
BL 1030 EV	16AF11CA884
BL 1030 EV CH	16AF11CA884
VE 30	16AE11CA828



E3-01883C-01