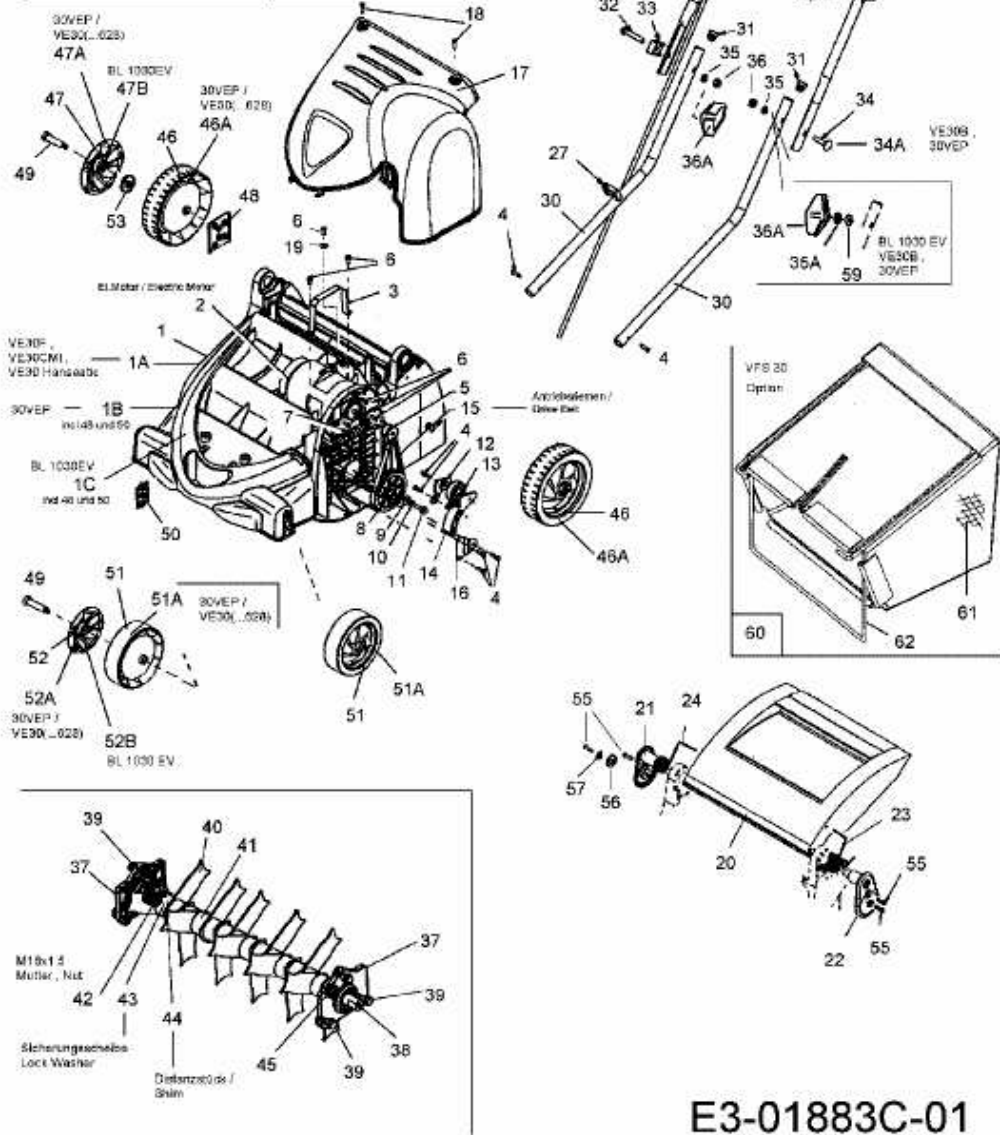


# VE 30 > 16AF11CA664 (2008) > GRUNDGERÄT

VE 30	16AE11CA800
VE 30 HANSEATIC	16AE11CA821
VE 30 F	16AF11CA821
VE 30 CMI	16AF11CA820
VE 30 CH, VE 30 B CH	16AE11CA864, 16AF11CA864
VE 30 COOP	16AE11CA866
VE 30 B	16AF11CA800
OK V 30	16AE11CA867
OK VE 30 B	16AF11CA867
30 VEP GOLF	16AF11CA838
BL 1030 EV	16AF11CA884
BL 1030 EV CH	16AF11CA884
VE 30	16AE11CA82B



E3-01883C-01