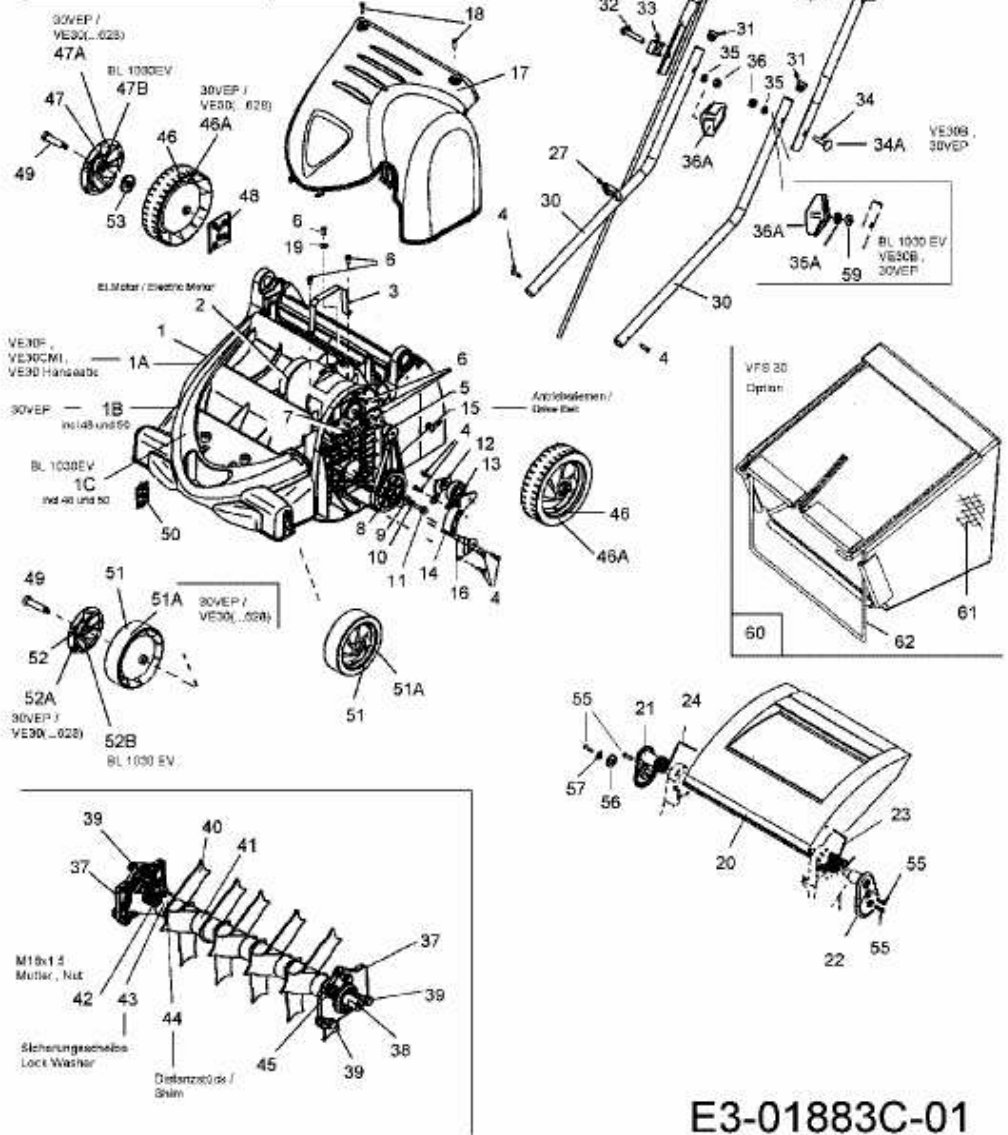


VE 30 > 16AF11CA600 (2006) > GRUNDGERÄT

| | |
|----------------------|--------------------------|
| VE 30 | 16AE11CA800 |
| VE 30 HANSEATIC | 16AE11CA821 |
| VE 30 F | 16AF11CA821 |
| VE 30 CMI | 16AF11CA820 |
| VE 30 CH, VE 30 B CH | 16AE11CA864, 16AF11CA864 |
| VE 30 COOP | 16AE11CA866 |
| VE 30 B | 16AF11CA800 |
| OK V 30 | 16AE11CA867 |
| OK VE 30 B | 16AF11CA867 |
| 30 VEP GOLF | 16AF11CA838 |
| BL 1030 EV | 16AF11CA884 |
| BL 1030 EV CH | 16AF11CA884 |
| VE 30 | 16AE11CA82B |



E3-01883C-01