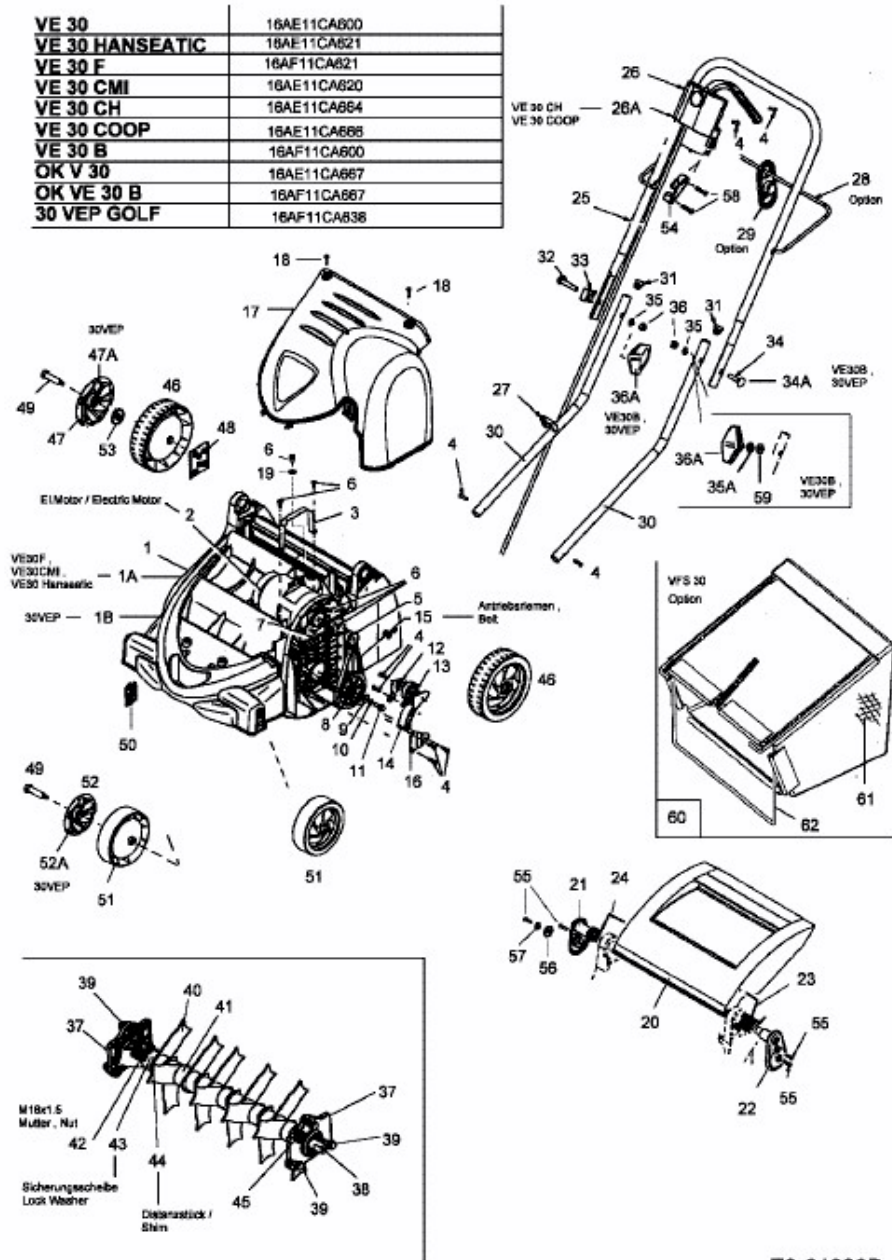


VE 30 > 16AE11CA620 (2005) > GRUNDGERÄT

VE 30	16AE11CA800
VE 30 HANSEATIC	16AE11CA821
VE 30 F	16AF11CA821
VE 30 CMI	16AE11CA820
VE 30 CH	16AE11CA864
VE 30 COOP	16AE11CA868
VE 30 B	16AF11CA800
OK V 30	16AE11CA867
OK VE 30 B	16AF11CA867
30 VEP GOLF	16AF11CA838



E3-01883B