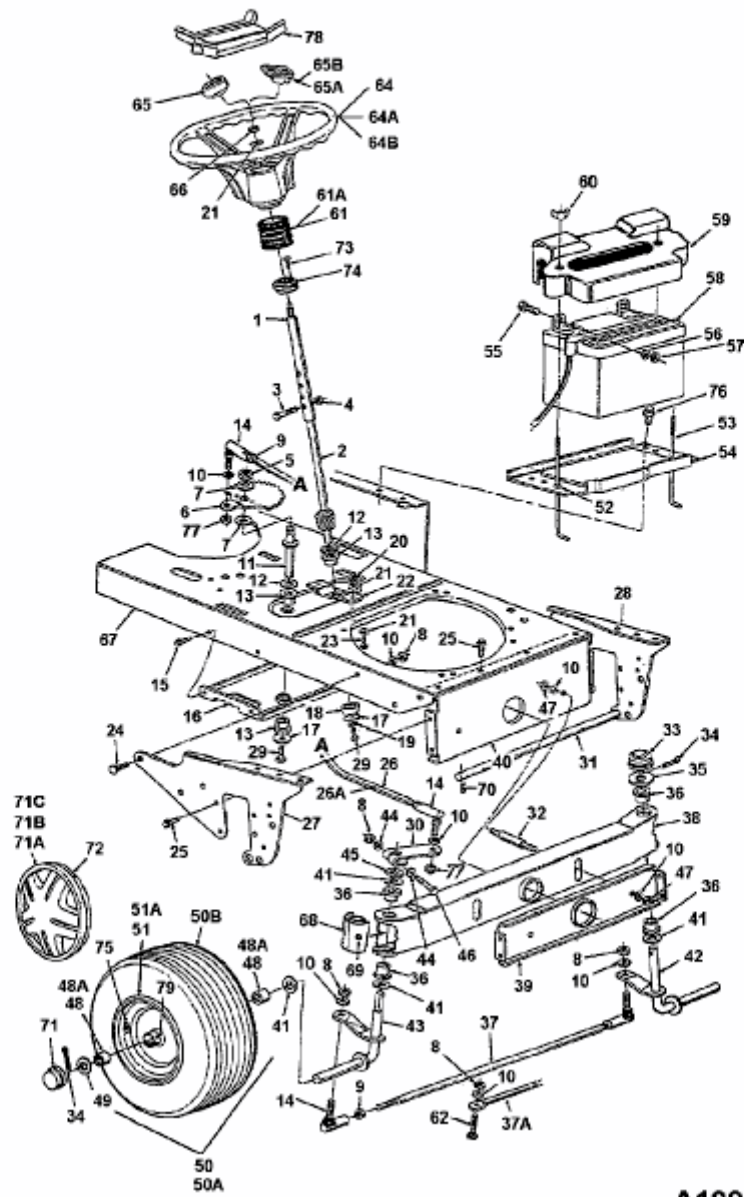


Models 844 and 845



fig

A1995-800-03