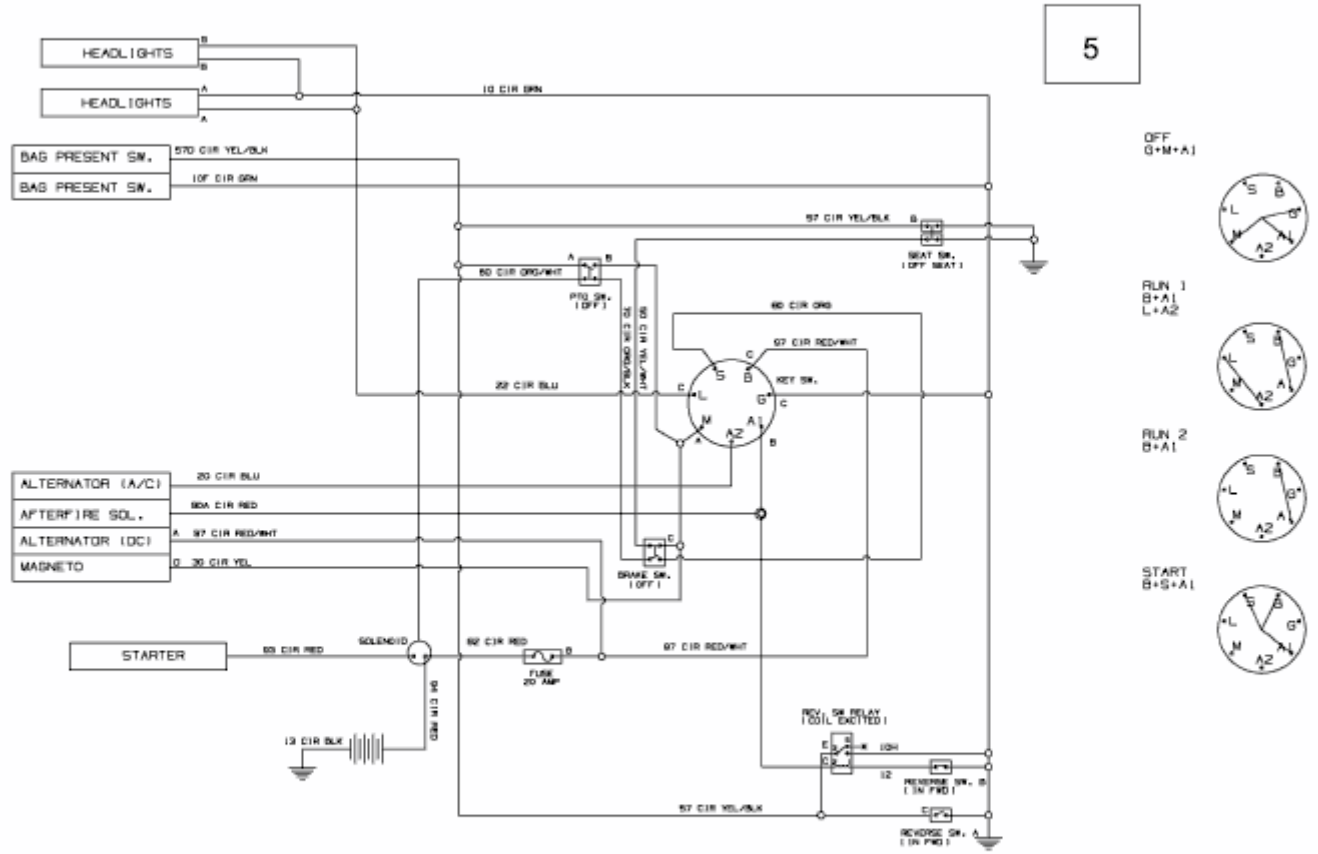


SELECT 105.155 T > 13RM77RN650 (2011) > SCHALTPLAN



E3-03888D-02