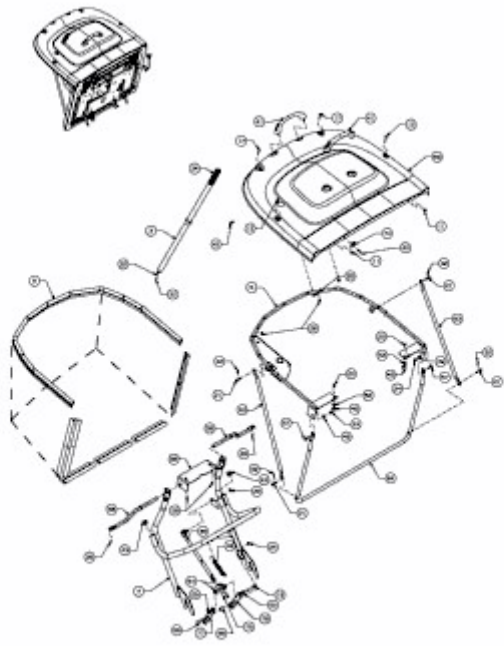


13MG51AE603 (2011) > GRASFANGVORRICHTUNG



E3-06673A-01