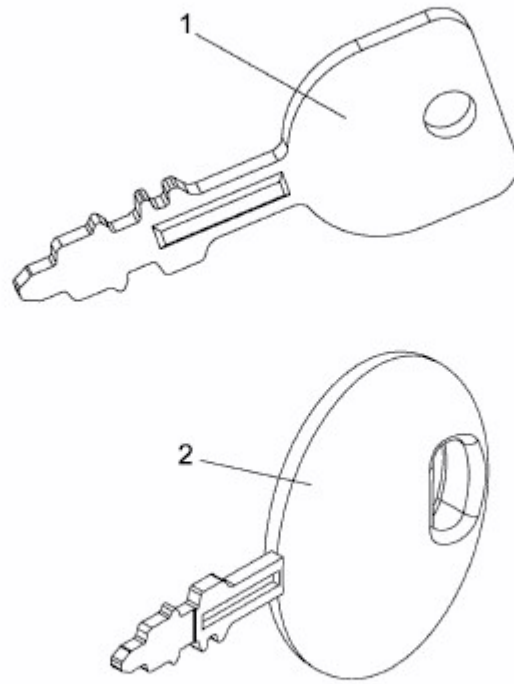


272-105 TWINH > 13HU997N615 (2015) > ZÜNDSCHLÜSSEL



E3-08282A-01