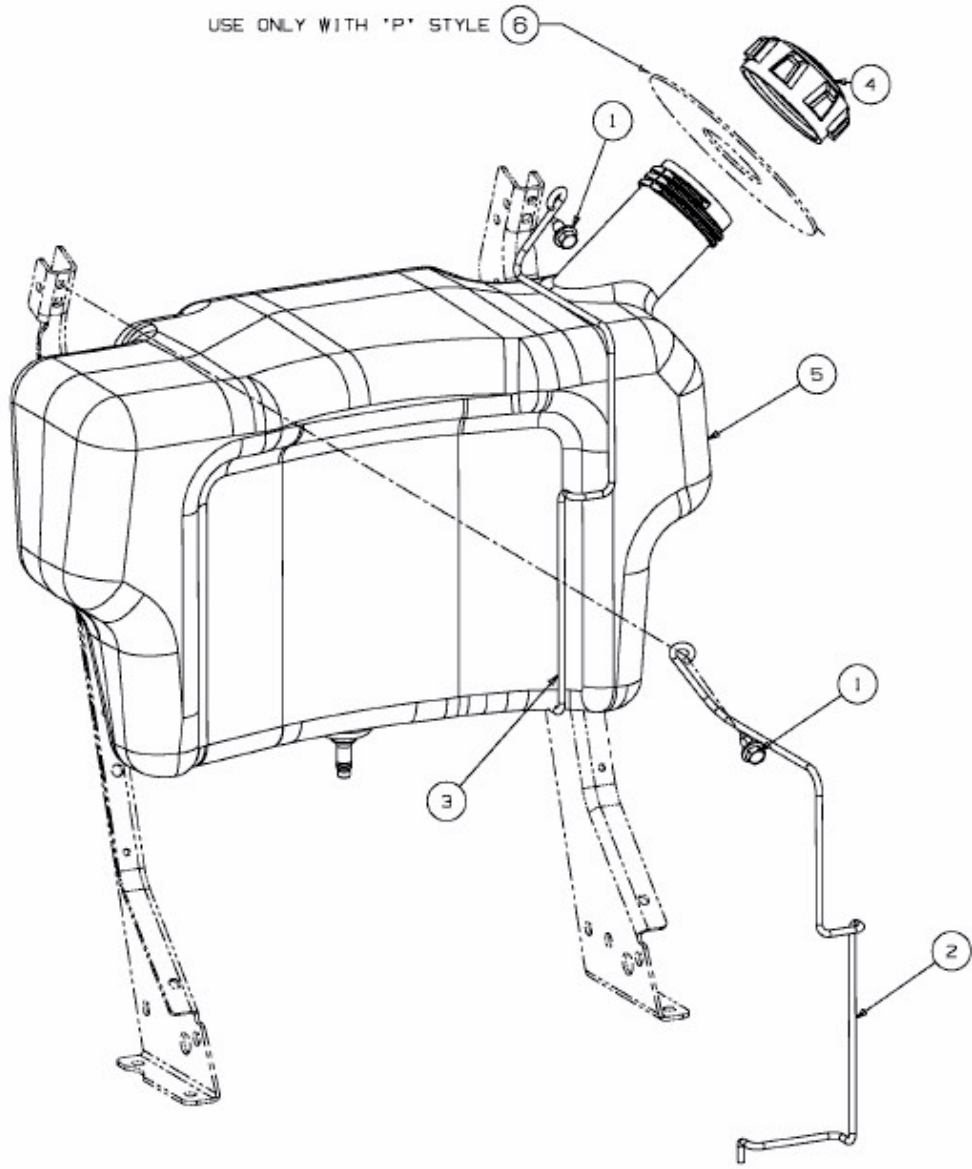


GL 17.5/105 H > 13HN99GN640 (2015) > TANK 2,75 GAL



E3-04528C-01