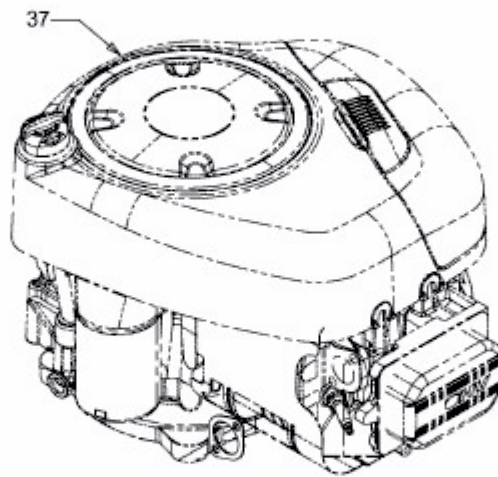


GG 175 > 13HN763G607 (2014) > MOTOR BRIGGS&STRATTON

Briggs & Stratton



Model: 31R707
Type: 70017B1

E3-02470A-02