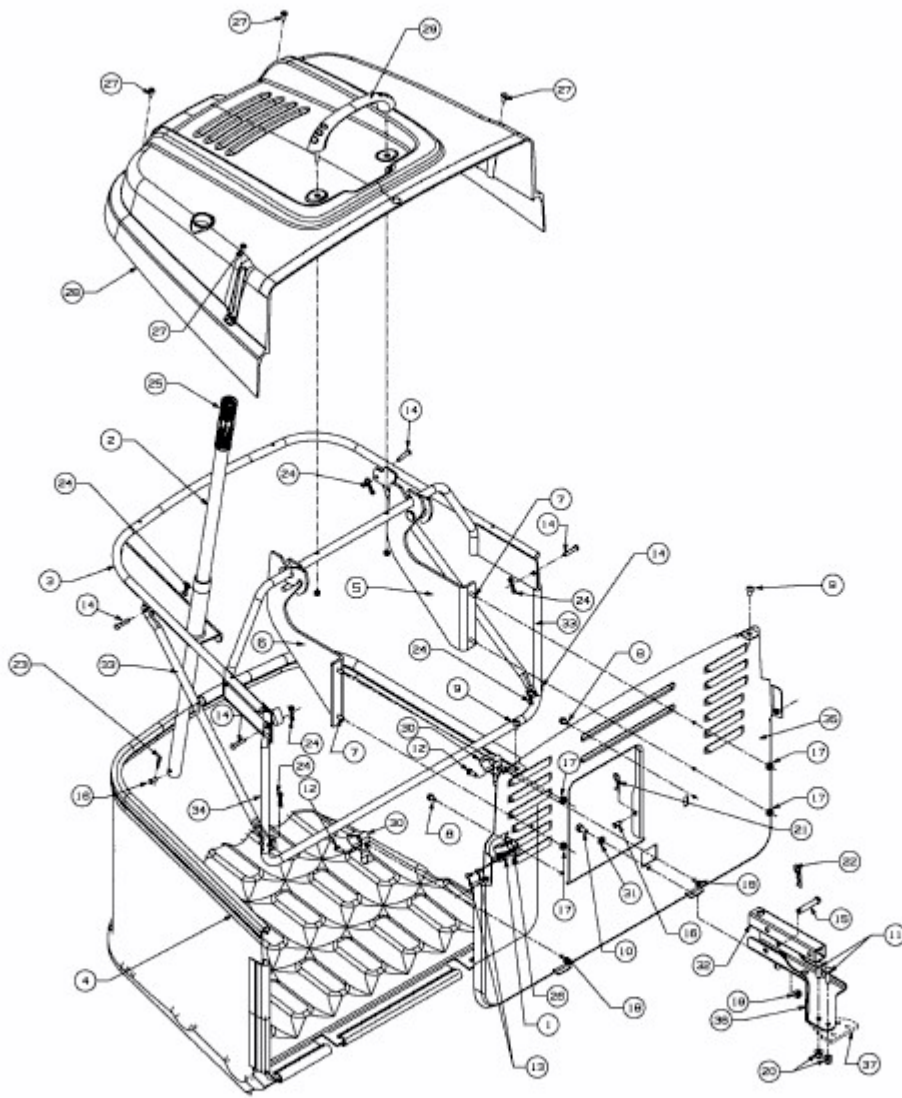


GE 175 > 13HN763E607 (2014) > GRASFANGVORRICHTUNG



E3-03879C-01