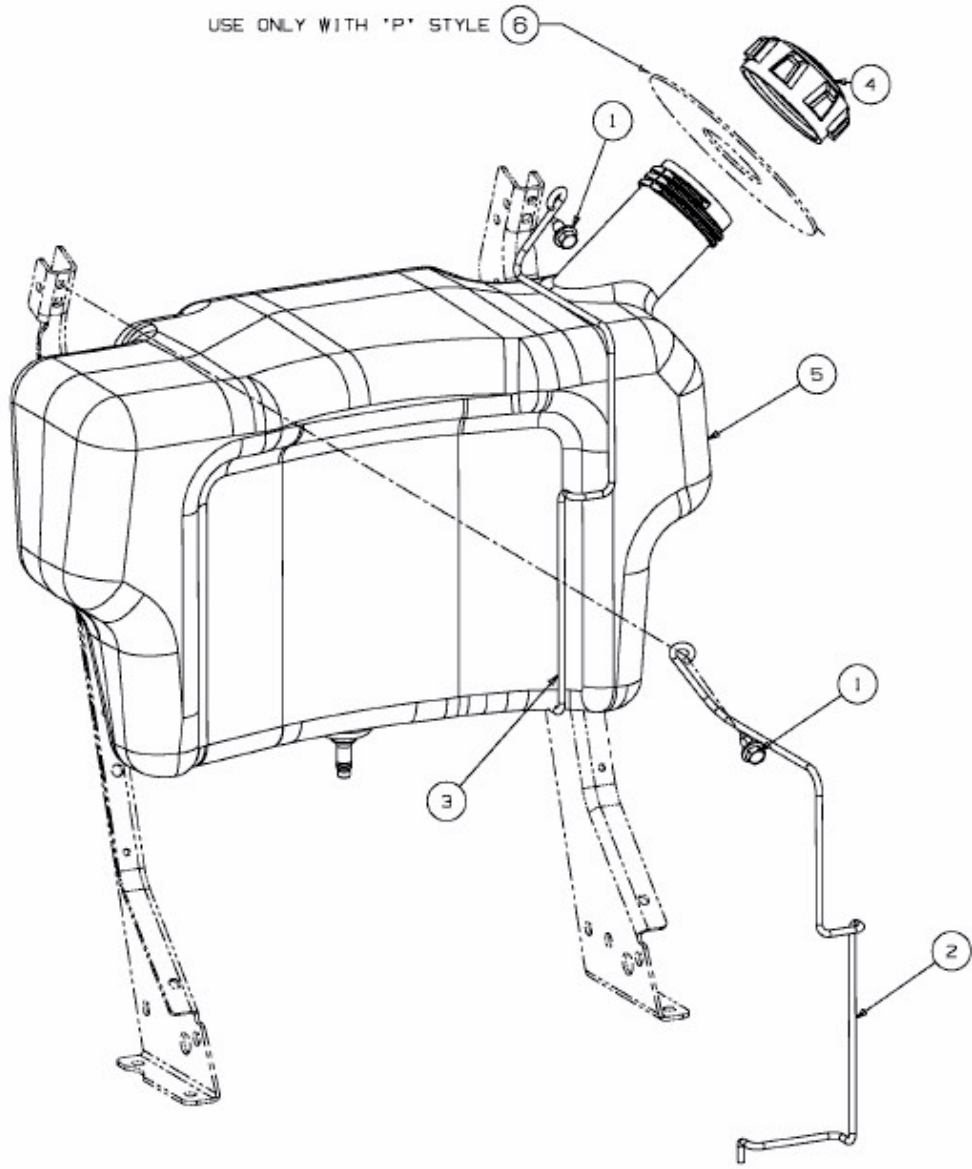


GL 15.5/92 H > 13HM99GE640 (2015) > TANK 2,75 GAL



E3-04528C-01