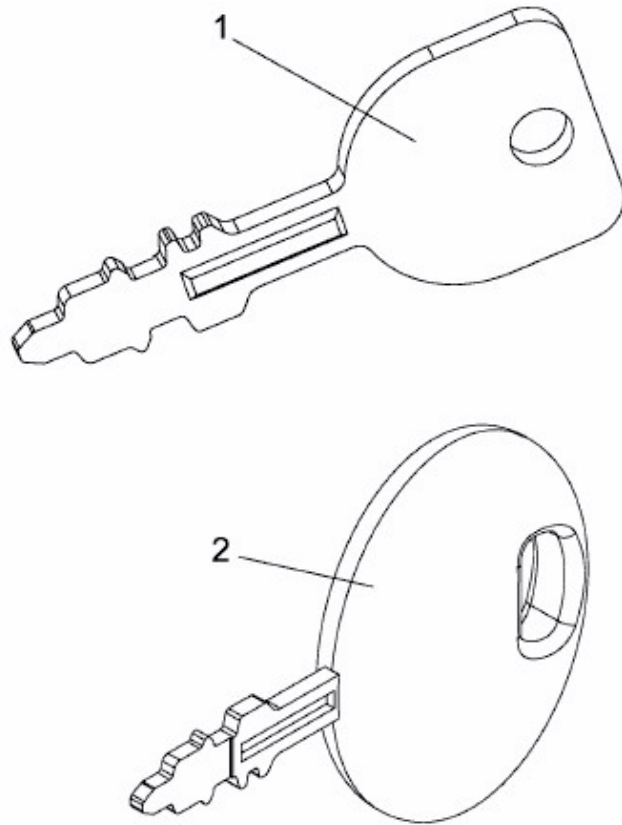


GL 15.5/92 H > 13HM99GE640 (2015) > ZÜNDSCHLÜSSEL



E3-08282A-01