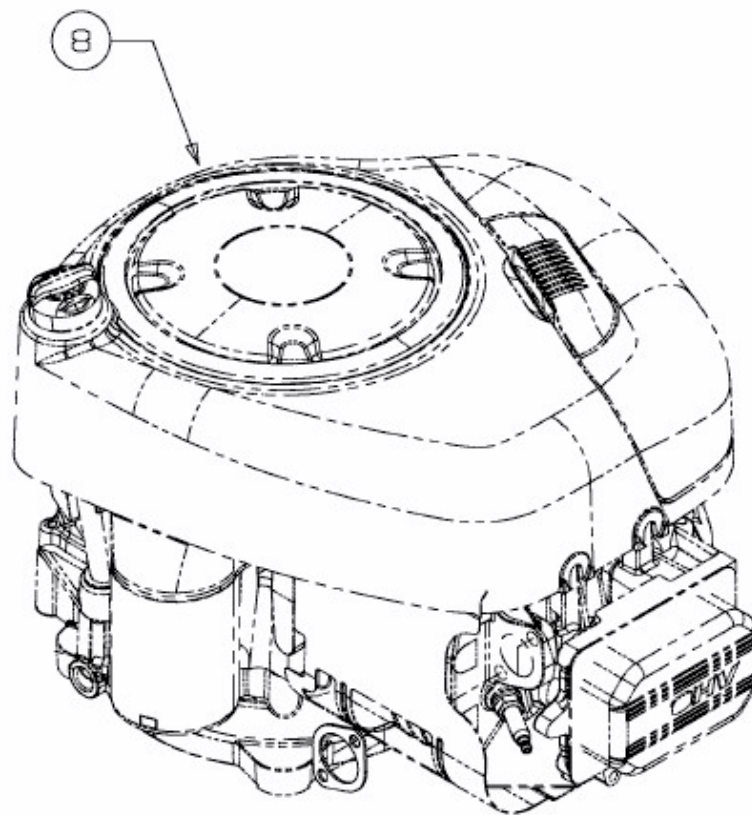


GL 15,5-105 H > 13HM993N640 (2014) > MOTOR BRIGGS & STRATTON

Briggs & Stratton



Model: 31R507  
Type: 0016B1

Vertical shaft

E3-02447A-01