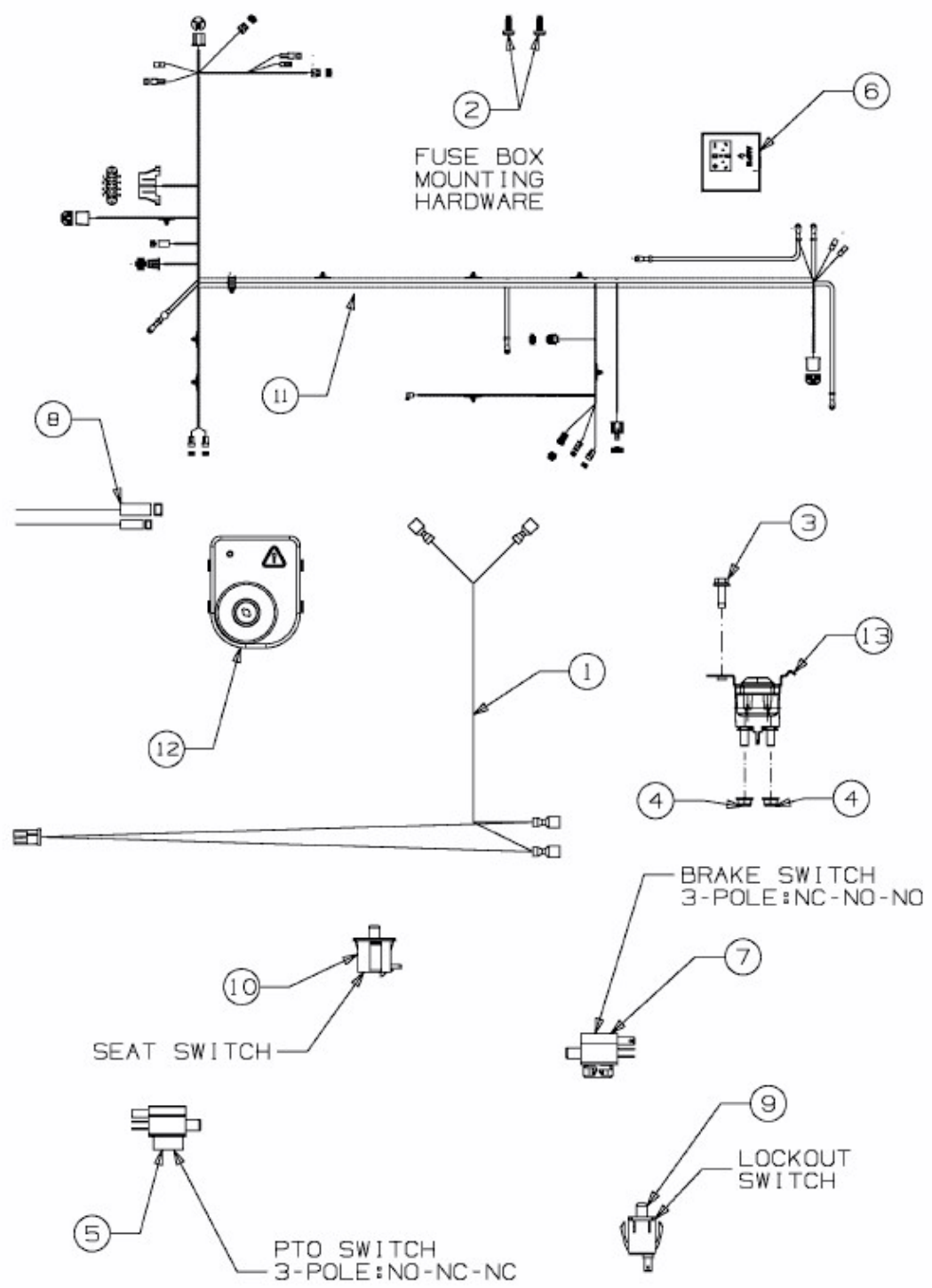


GL 15,5-105 H > 13HM993N640 (2014) > ELEKTROTEILE



E3-07528B-01