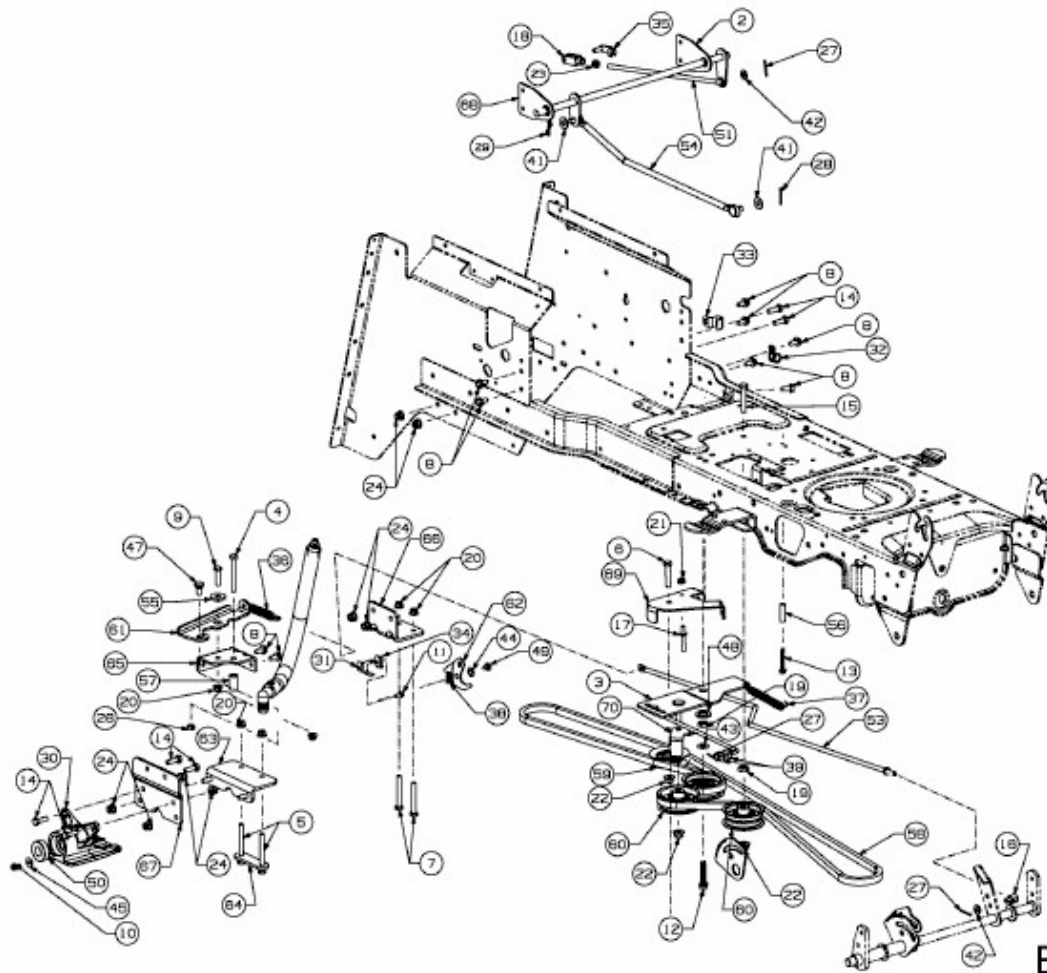


GL 15,5-105 H > 13HM993N640 (2014) > FAHRANTRIEB



E3-07522C-01