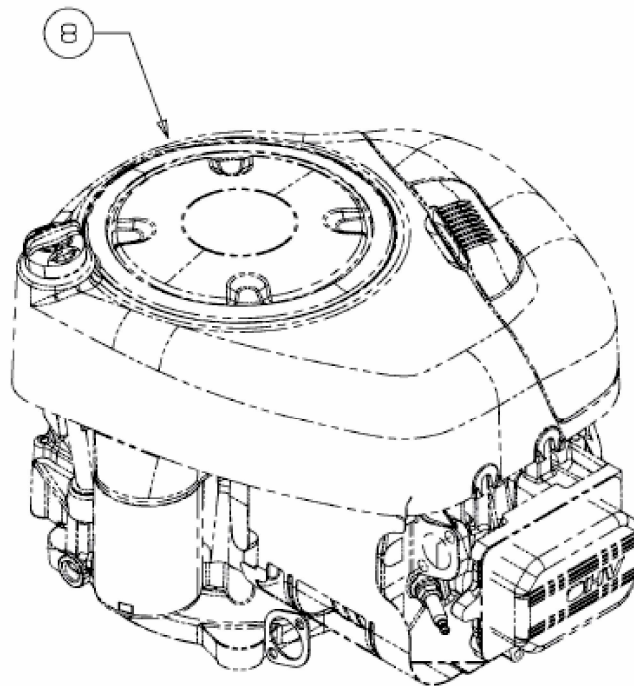


Briggs & Stratton



Model: 31R507  
Type: 0016B1

Vertical shaft

E3-02447A-01