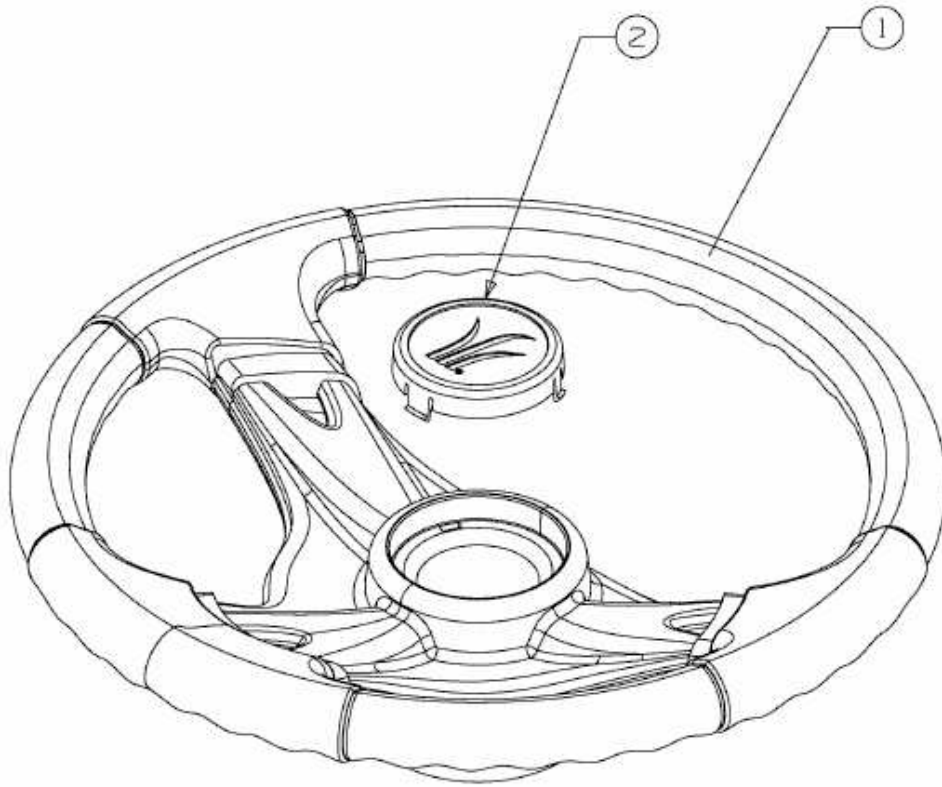


SMART RF 145 H > 13HM795F600 (2014) > LENKRAD



E3-02014B-01