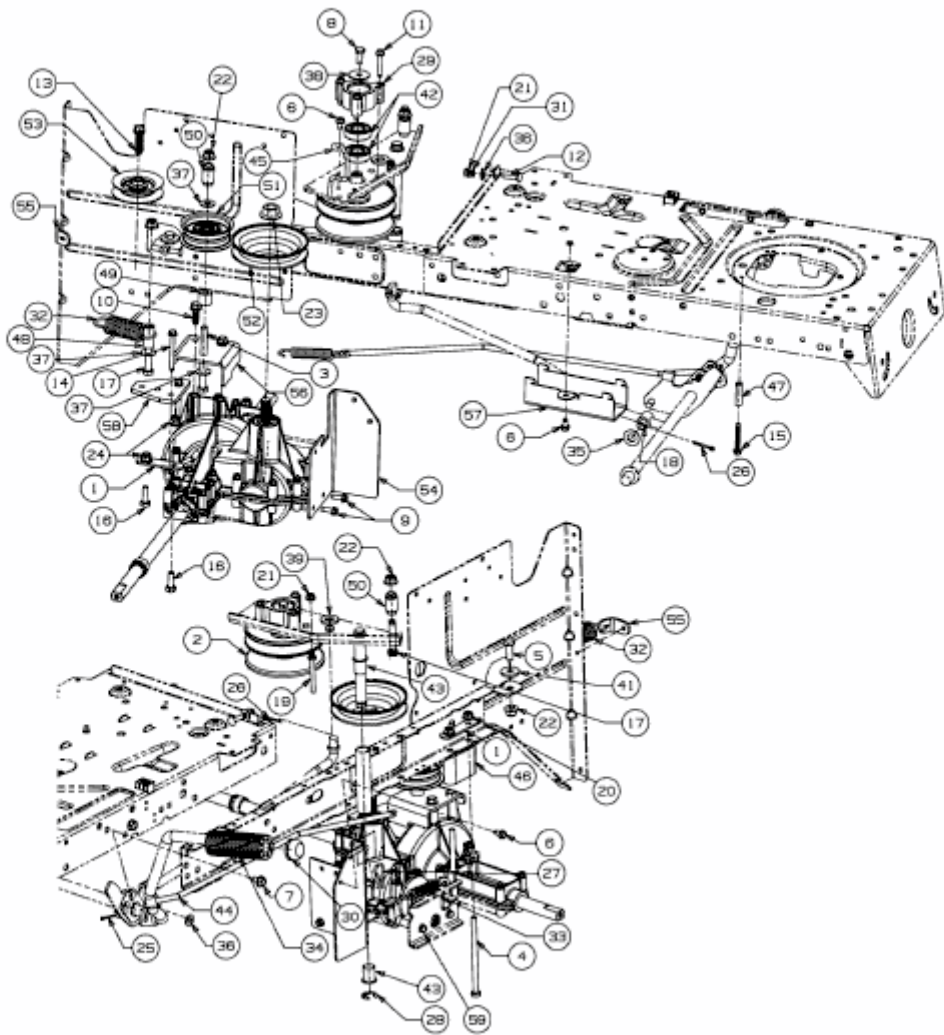


SMART RN 145 > 13HM76KN600 (2016) > FAHRANTRIEB, VARIATOR



E3-03858I-01