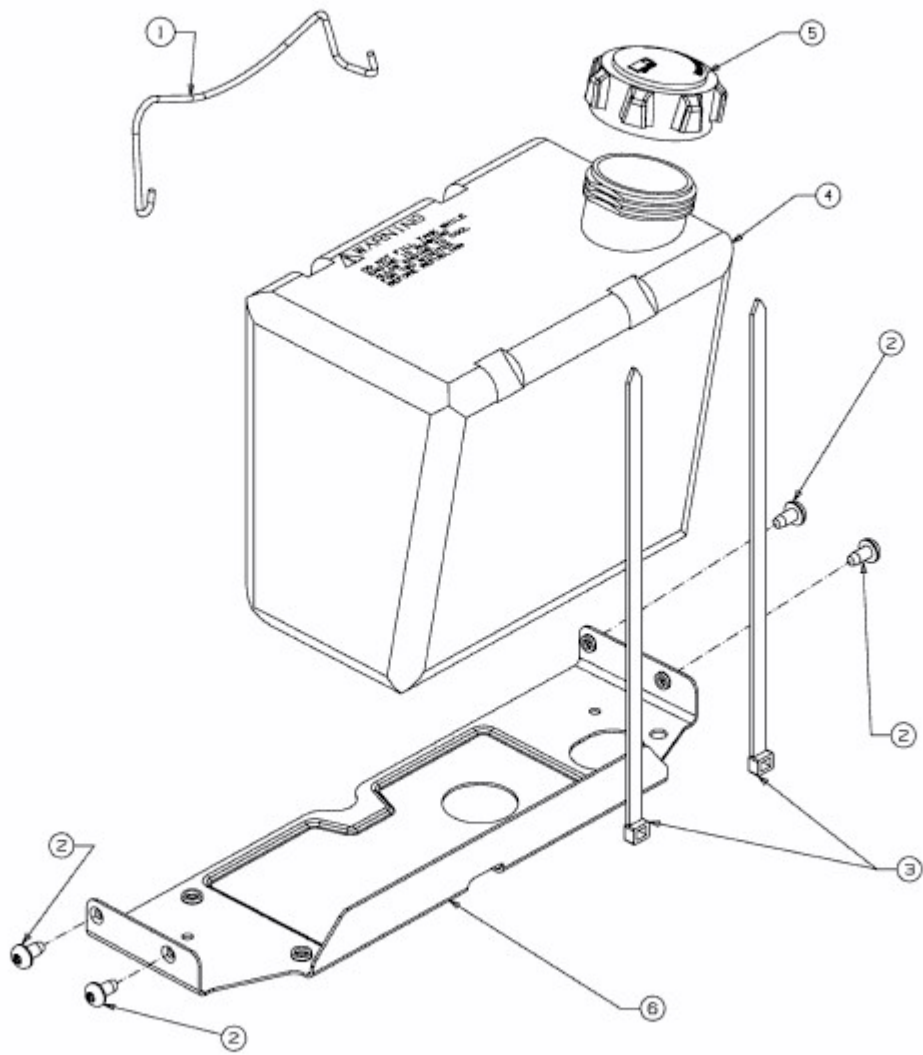


SMART RN 145 > 13HM76KN600 (2016) > TANK



E3-07426B-01