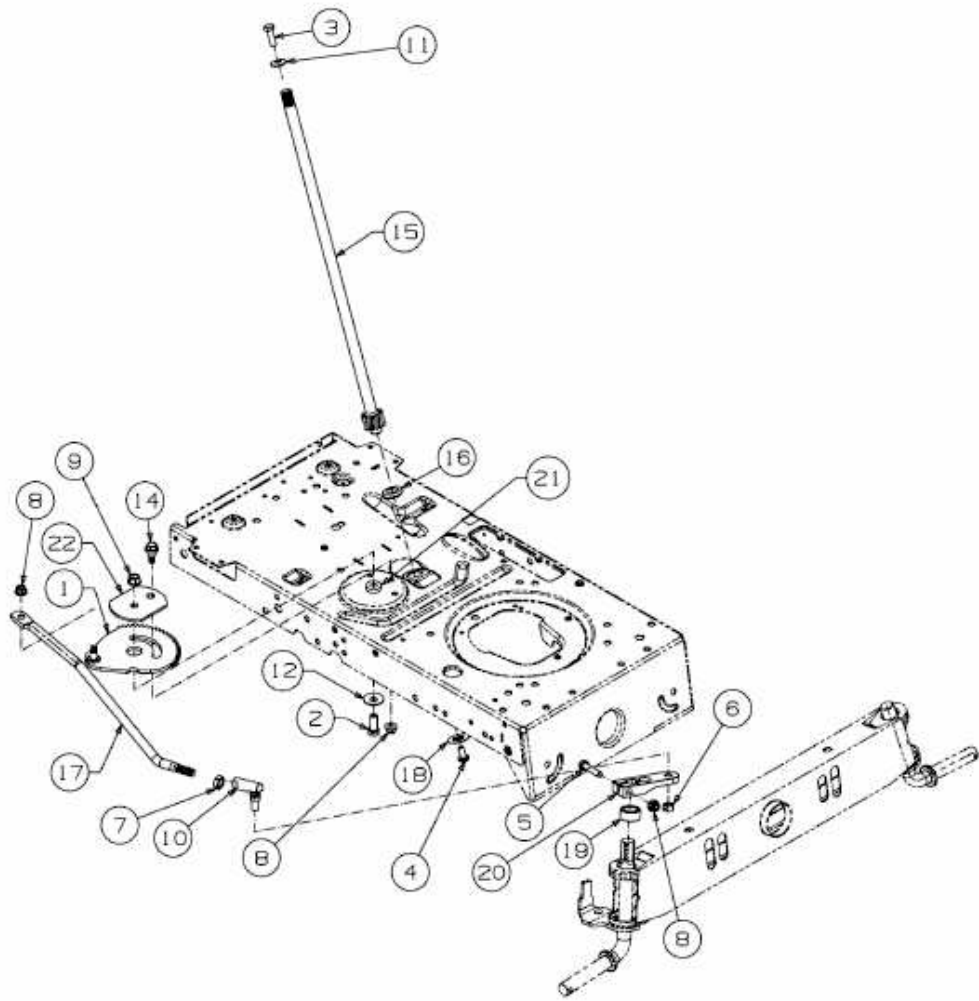


SMART RG 145 > 13HM76KG600 (2015) > LENKUNG



E3-02700F-01