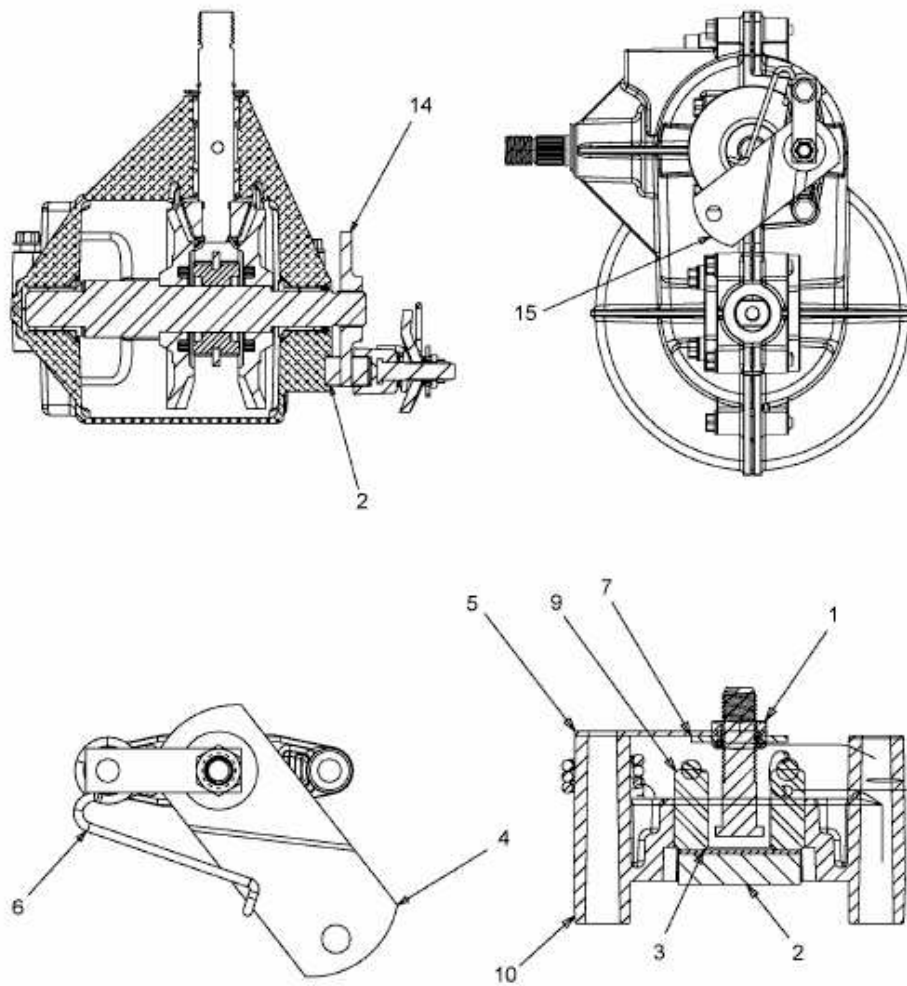


SMART RG 145 > 13HM76KG600 (2014) > BREMSE



E3-06545B-03