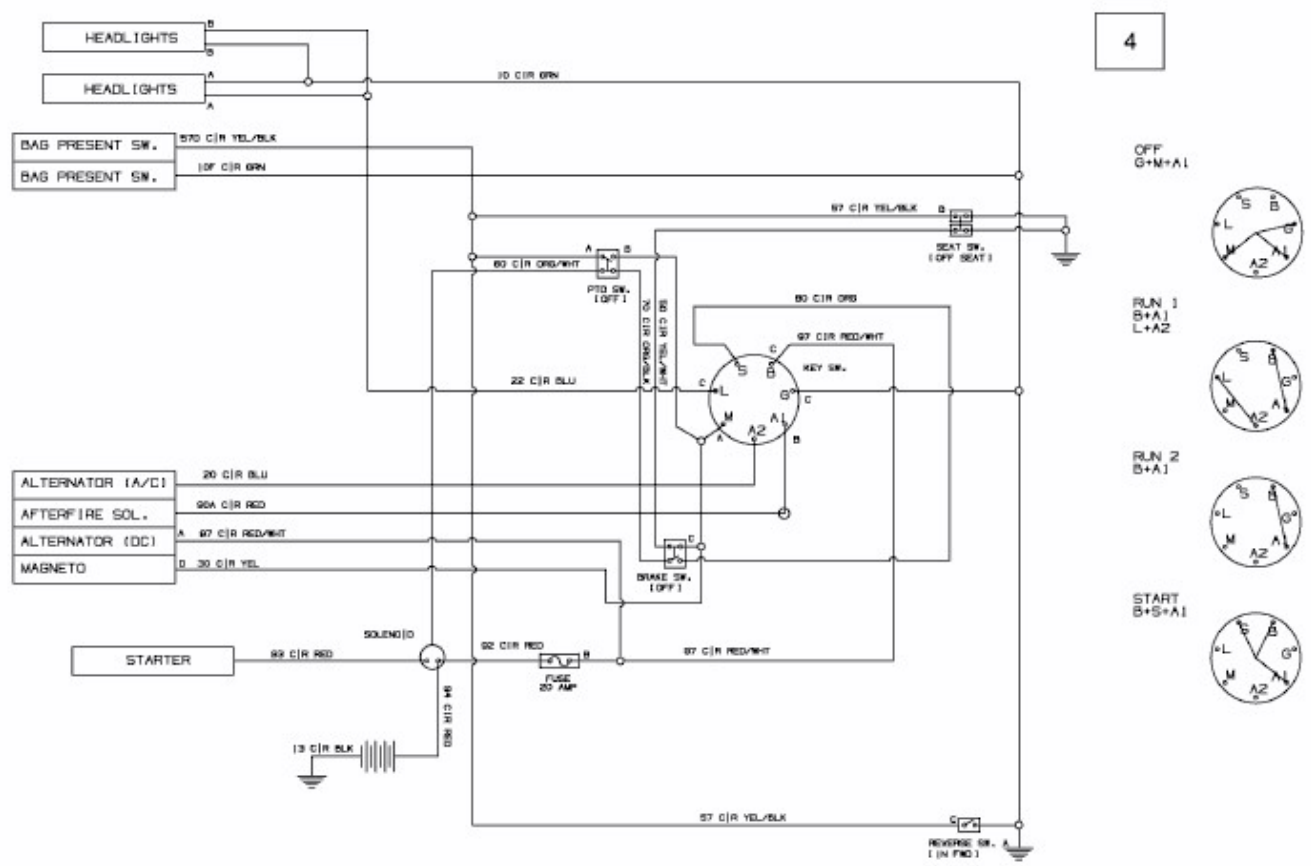


BT 155-92 AH 2 > 13HM71KE648 (2014) > SCHALTPLAN



E3-03888G-02