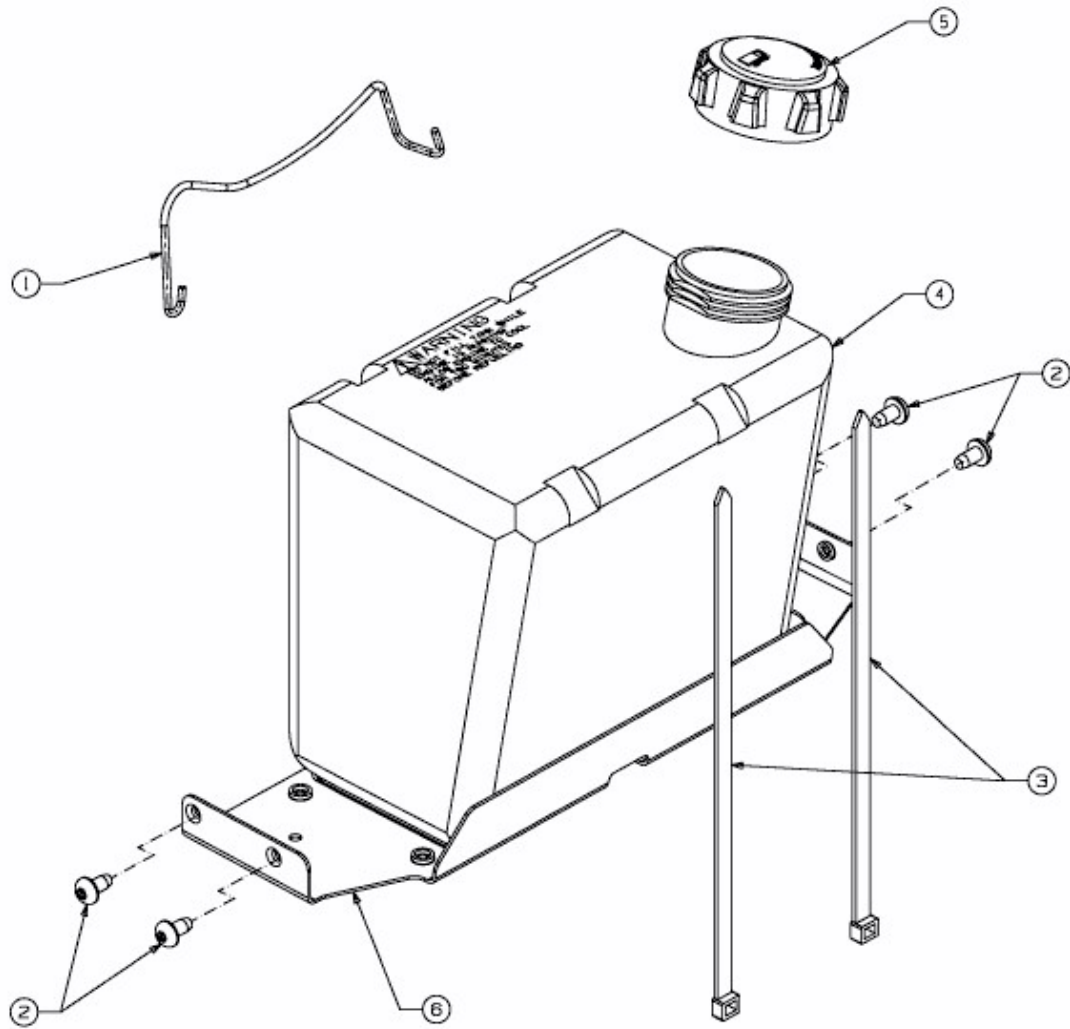


BT 155-92 AH 2 > 13HM71KE648 (2014) > TANK



E3-07426A-01