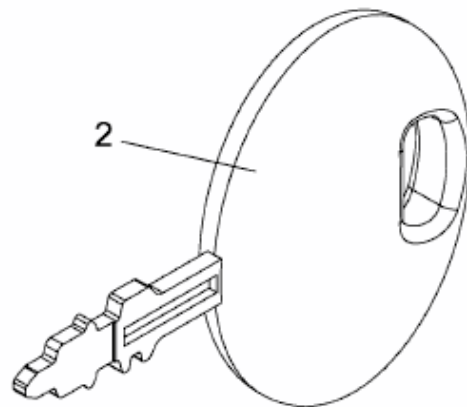
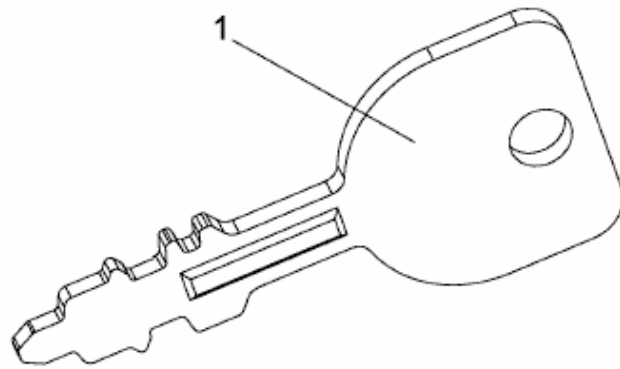


282-105 TWINKH > 13HI99GN615 (2016) > ZÜNDSCHLÜSSEL



E3-08282A-01