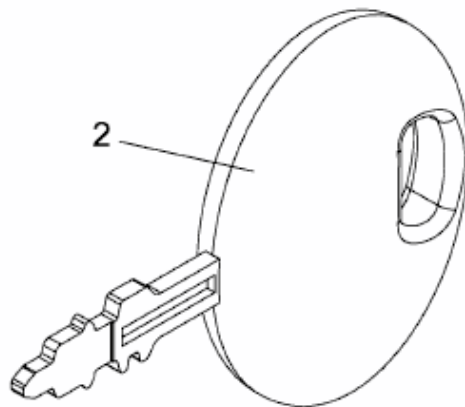
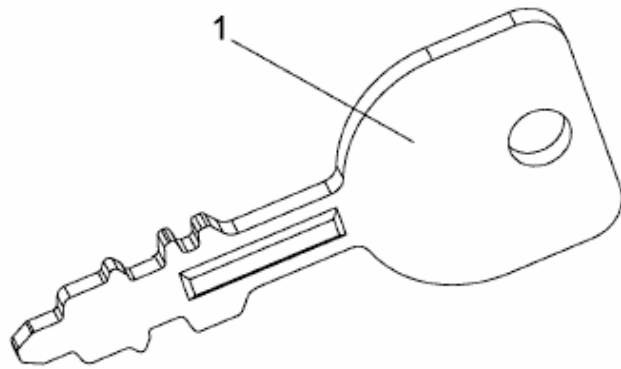


282-117 TWINKH > 13HI93GT615 (2016) > ZÜNDSCHLÜSSEL



E3-08282A-01