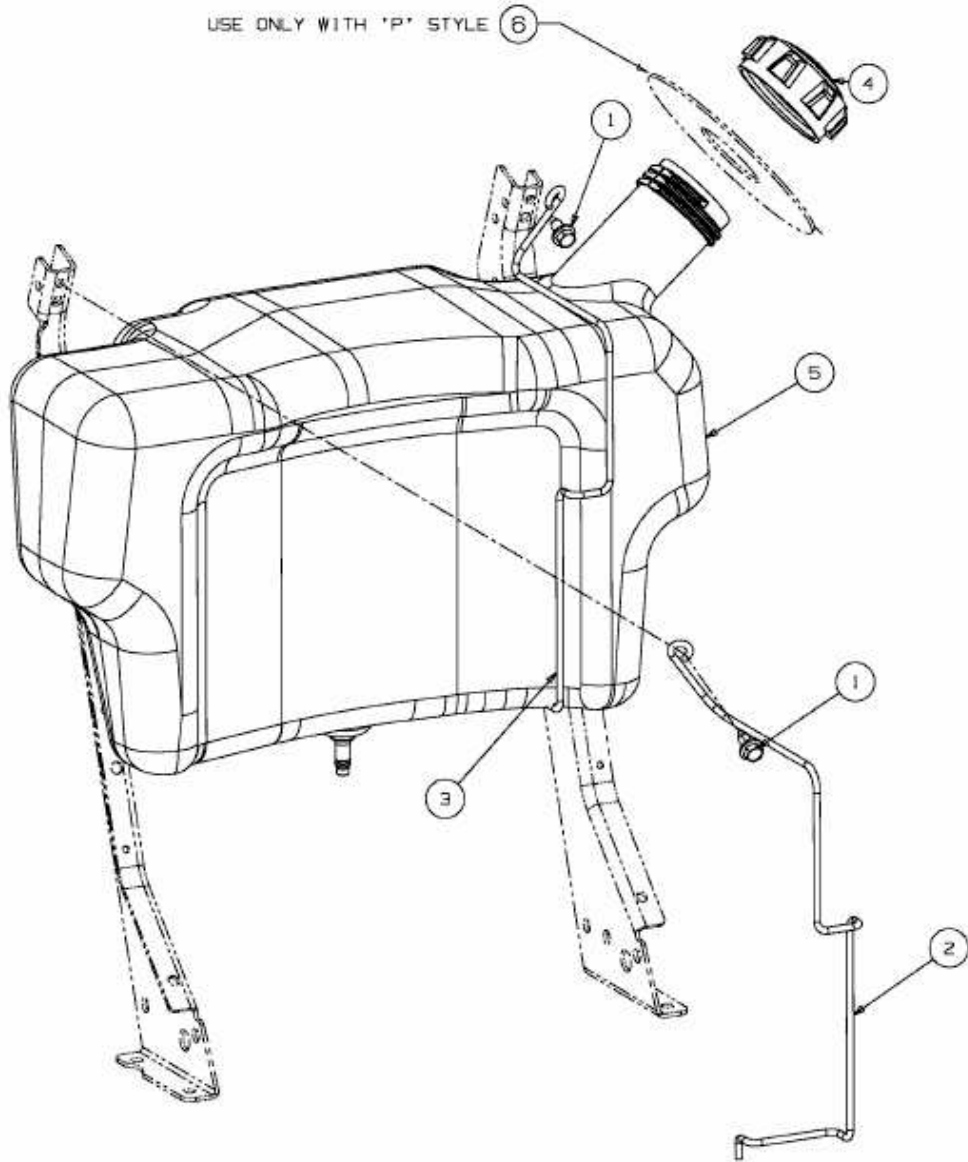


GLX 105 RH-K > 13HI91GN690 (2016) > TANK 2,75 GAL



E3-04528C-01