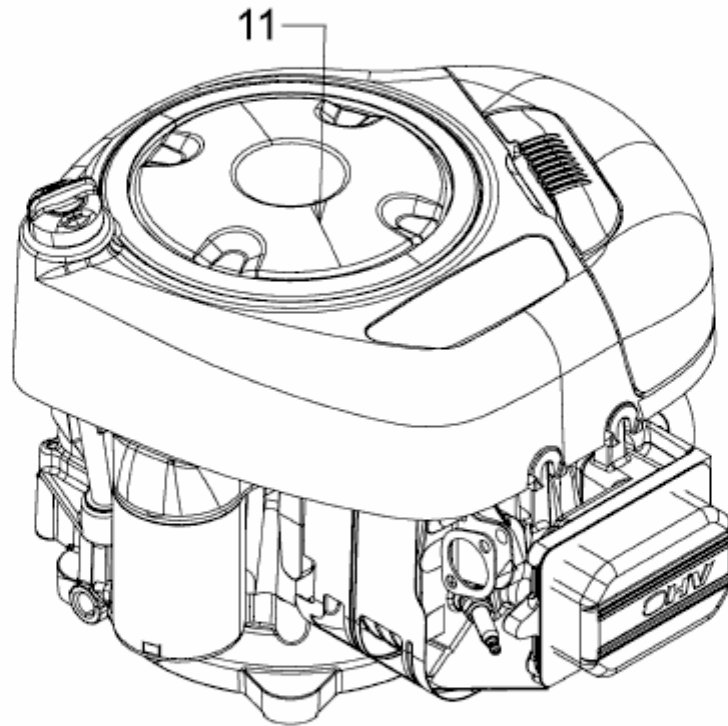


SMART RE 130 H > 13HH71KE600 (2014) > MOTOR BRIGGS & STRATTON

Briggs & Stratton



Model 21R807  
Type 0003B1

E3-02445A-01