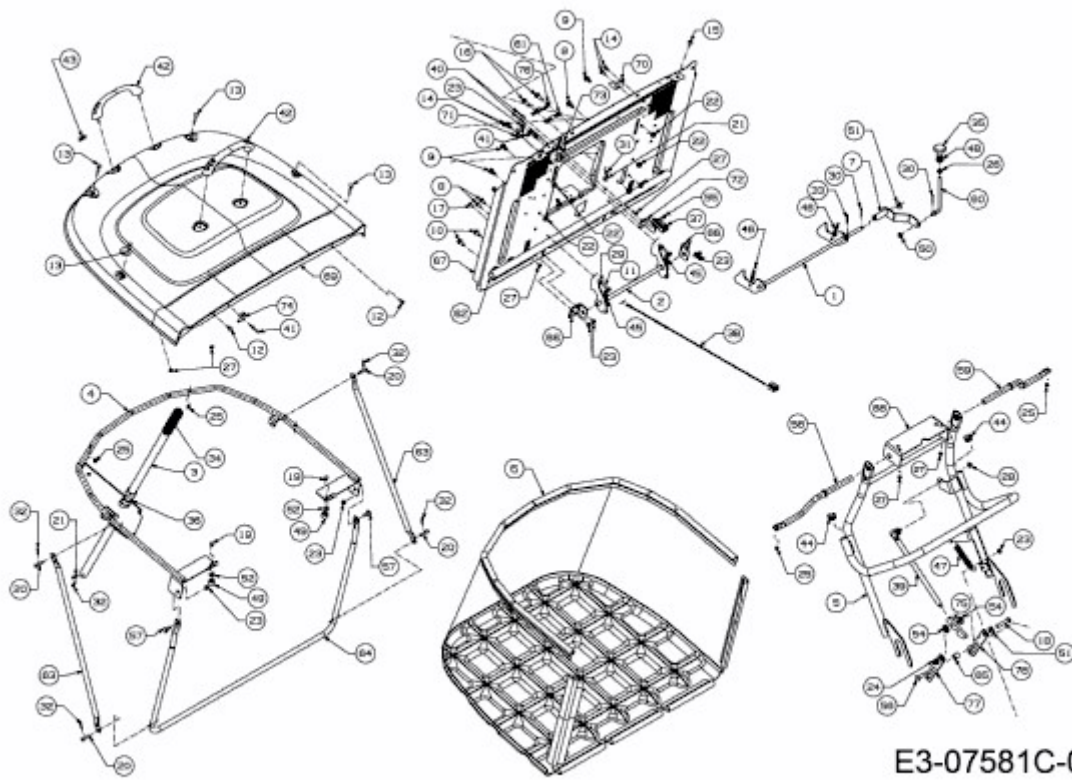


CC 1018 KHN > 13HG91AN603 (2014) > GRASFANGEINRICHTUNG



E3-07581C-01